

MODULAR JACK SPLITTER



908 Canada Court
 City of Industry, CA 91748
 Ph. 626-964-7873 Fax 626-964-7880
 1-800-346-6668



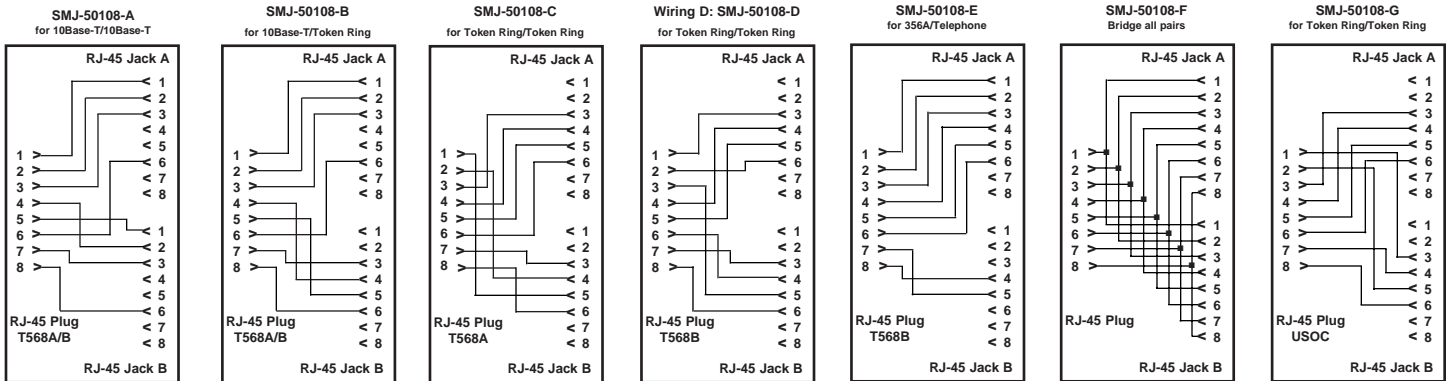
- SMJ-50108-A: T568A/B 10Base-T/10Base-T Modular Jack Splitter
- SMJ-50108-B: T568A/B 10Base-T/Token Ring Modular Jack Splitter
- SMJ-50108-C: T568A Token Ring/Token Ring Modular Jack Splitter
- SMJ-50108-D: T568B Token Ring/Token Ring Modular Jack Splitter
- SMJ-50108-E: T568B 356A/Telephone Modular Jack Splitter
- SMJ-50108-F: Bridge all pairs Modular Jack Splitter
- SMJ-50108-G: USOC Token Ring/Token Ring Modular Jack Splitter

Features:

- Allows you to utilize previously unused cable pairs within an existing LAN system
- Splits four pairs of cable into two groups for the same application or different applications
- A 1.25 inch pigtail is attached for easy connection to either patch panel or wall jack
- Meets EIA/TIA 568-A Category 4 Standards

Now you can save money by utilizing previously unused cable pairs within your existing LAN system with UNICOM's Modular Jack Splitter. It splits four pairs of cable into two groups for the same or separate

application and features a 1.25 inch pigtail for easy connection to either a patch panel or wall outlet. Utilize the unused pairs of cable for 10Base-T, Token Ring, RS-232 or other applications.

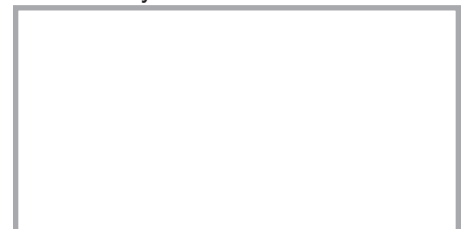


Note: Special wiring is also available upon request.

Specifications:

Housing	ABS, UL 94VO material
Plug	RJ-45 8P8C
Jacks	RJ-45 8P8C/8P4C/8P2C Keyed
Cable	1.25" Category 5 Stranded 24 AWG UTP Cable
Standards	Meets EIA/TIA 568-A Category 4 Standards
Applications	4/16 Mbps Token Ring and 10Base-T applications

Distributed by:



www.unicomlink.com
 1-800-346-6668