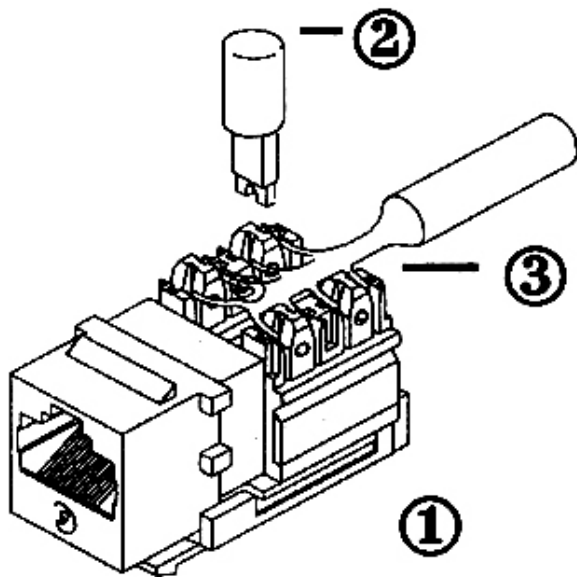


KEYSTONE JACK TERMINATION INSTRUCTION



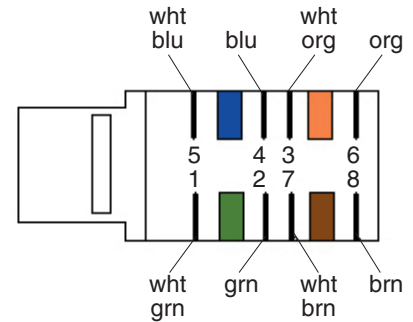
For proper termination, follow these 4 easy steps...

1. Position wires ③ into the proper channels on the keystone jack ① according to the color chart on the right.
2. Use the 110 punch-down tool ② to push conductors into the channels.
3. For the Category 5 module, do not untwist conductor pairs more than 0.5" from the termination point.
4. For the Category 3 module, do not untwist conductor pairs more than 1.0" from the termination point.

Category 5 T568A (8 Wire)

110 Type RJ-45
Connector Jack

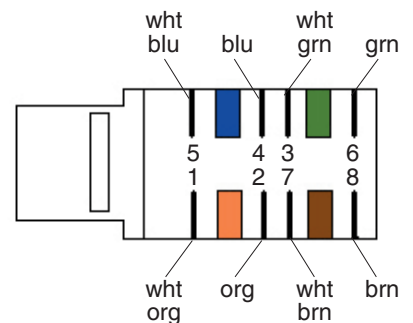
Wht/Blu	5
Blu/Wht	4
Wht/Org	3
Org/Wht	6
Wht/Grn	1
Grn/Wht	2
Wht/Brn	7
Brn/Wht	8



Category 5 T568B (8 Wire)

110 Type RJ-45
Connector Jack

Wht/Blu	5
Blu/Wht	4
Wht/Org	1
Org/Wht	2
Wht/Grn	3
Grn/Wht	6
Wht/Brn	7
Brn/Wht	8



Category 3 USOC (6 Wire)

110 Type RJ-12
Connector Jack

Wht/Blu	4
Blu/Wht	3
Wht/Org	2
Org/Wht	5
Wht/Grn	1
Grn/Wht	6

