

Waterproof Round Illuminated Rocker

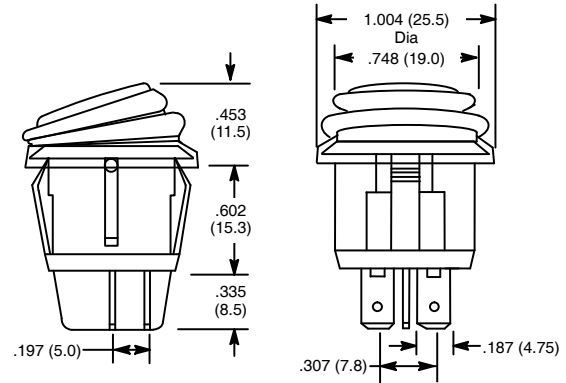


Features

- Double Pole
- Waterproof: IP65
- .187" Quick Connect Terminals



S111



Specifications

Current Rating: 16A 125VAC, 10A 250VAC
Lens Color: See Table
Lamp Voltage: 110V Neon (AC) & 12V LED (DC)
Insulation Resistance: 100 Megohms (min.) at 500VDC
Dielectric Strength: 1500V RMS (min.)
Temperature Rating: +32°F to +185°F (0°C to +85°C)
Electrical Life: 10,000 cycles
Mechanical Life: 50,000 cycles at full load
Terminal Type: .187" Tab Q.C.
Mounting Hole: .795 (20.2)

NTE Type No.	Circuitry	Action			Actuator				Diag No.
					Material	Color		Vltg	
						Neon	LED		
54-205W	DPST	ON	NONE	OFF	PC	Red	-	AC	S111
54-206W	DPST	ON	NONE	OFF	PC	-	Red	DC	S111
54-209W	DPDT	ON	NONE	OFF	PC	Green	-	AC	S111
54-210W	DPST	ON	NONE	OFF	PC	-	Green	DC	S111
54-211W*	DPST	ON	NONE	OFF	PC	-	Black	N/A	S111

* Designates Non-Illuminated Type

Waterproof Miniature Illuminated Rocker

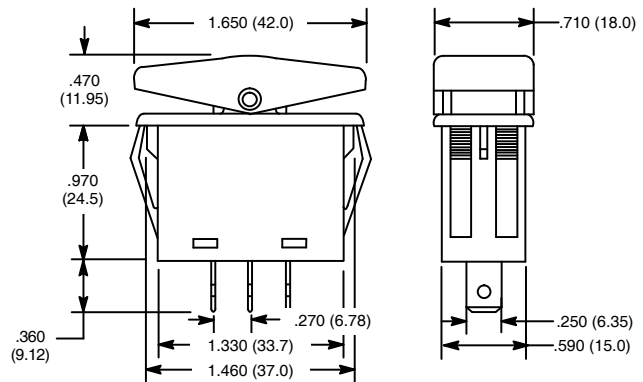


Features

- Single Pole
- Waterproof: IP66
- .250" Quick Connect Terminals



S112



Specifications

Current Rating: 20A 125VAC 1/3 HP, 10A 250VAC 3/4 HP, 20A 14VAC, 10A 24VAC
Lens Color: See Table
Lamp Voltage: 110V Neon (AC) & 12V LED (DC)
Insulation Resistance: 100 Megohms (min.) at 500VDC
Dielectric Strength: 1500V RMS (min.)
Temperature Rating: +32°F to +185°F (0°C to +85°C)
Electrical Life: 10,000 cycles
Mechanical Life: 50,000 cycles at full load
Terminal Type: .250" Tab Q.C.
Mounting Hole: 1.450 (36.8) x .600 (15.2)

NTE Type No.	Circuitry	Action			Actuator				Diag No.
					Material	Color		Vltg	
						Neon	LED		
54-215W	SPST	ON	NONE	OFF	PC	Red	-	AC	S112
54-216W	SPST	ON	NONE	OFF	PC	-	Red	DC	S112
54-219W	SPST	ON	NONE	OFF	PC	Green	-	AC	S112
54-220W	SPST	ON	NONE	OFF	PC	-	Green	DC	S112
54-221W*	SPST	ON	NONE	OFF	PC	-	Black	N/A	S112

* Designates Non-Illuminated Type