

Bat Handle Toggle



Features

- Neoprene Seal Toggle (54-456 thru 54-459, 54-659 ONLY)
- Slow Make, Slow Break Contacts
- AC Rated, Suitable for Low Voltage DC Also
- Standard .500" Dia Mounting Hole
- Various Terminal Selections



| NTE Type No. | Circuitry | Action | | | Actuator | Diag No. |
|--------------|-----------|--------|------|-------|--------------------|----------|
| 54-001 | SPST | ON | NONE | (OFF) | Brass/Nickel Plate | S1c |
| 54-002 | SPDT | (ON) | OFF | (ON) | Brass/Nickel Plate | S1c |
| 54-006 | SPST | ON | NONE | OFF | Brass/Nickel Plate | S1a |
| 54-007 | SPST | ON | NONE | OFF | Brass/Nickel Plate | S1b |
| 54-008 | SPST | ON | NONE | OFF | Brass/Nickel Plate | S1c |
| 54-009 | SPDT | ON | OFF | ON | Brass/Nickel Plate | S1b |
| 54-010 | SPDT | ON | OFF | ON | Brass/Nickel Plate | S1c |
| 54-023 | SPST | ON | NONE | OFF | Brass/Nickel Plate | S1d |
| 54-024 | SPDT | ON | NONE | ON | Brass/Nickel Plate | S1d |
| 54-025 | SPDT | ON | OFF | ON | Brass/Nickel Plate | S1d |
| 54-456* | SPST | ON | NONE | OFF | Brass/Nickel Plate | S1c |
| 54-457* | SPST | (ON) | NONE | OFF | Brass/Nickel Plate | S1c |
| 54-458* | SPST | ON | NONE | OFF | Brass/Nickel Plate | S1b |
| 54-459* | SPDT | ON | OFF | ON | Brass/Nickel Plate | S1b |
| 54-659* | SPDT | (ON) | OFF | (ON) | Brass/Nickel Plate | S1b |

NEW
NEW
NEW

SPECIAL NOTE: () = Momentary Function
* Neoprene Seal Toggle

Bat Handle Toggle



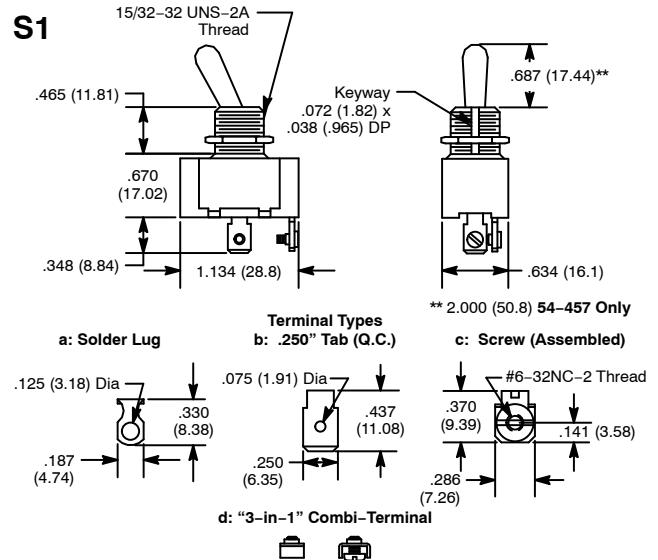
Features

- Quick Make, Quick Break Wiping Action
- 6" Wire Leads
- Brass or Plastic Actuator



| NTE Type No. | Circuitry | Action | | | Actuator | Diag No. |
|--------------|-----------|--------|------|----|--------------------|----------|
| 54-130 | SPST | OFF | NONE | ON | Brass/Nickel Plate | S36 |
| 54-131 | SPST | OFF | NONE | ON | Plastic | S36 |

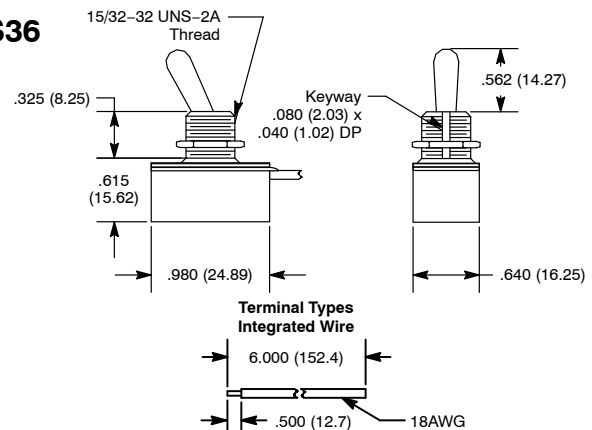
S1



Specifications

Current Rating: 15A 125VAC, 10A 250VAC, 3/4 HP 125-250VAC
Insulation Resistance: 100 Megohms (min.)
Dielectric Strength: 1000V RMS (min.)
Temperature Rating: 0° to +150°F (-17.8° to +65.6°C)
Electrical Life: 50,000 cycles maintained, 25,000 cycles momentary
Mechanical Life: 100,000 cycles
Terminal Type: Refer to Diag No. in Table
Mounting Hole: .500 (12.7)

S36



Specifications

Current Rating: 10A 250VAC, 8A 125VDC, 4A 250VDC, 1/3 HP 125VAC
Dielectric Strength: 1000V RMS (min.)
Temperature Rating: +149°F (+65°C) Max
Electrical Life: 25,000 cycles Min
Mechanical Life: 100,000 cycles
Terminal Type: Integrated Wire
Mounting Hole: .500 (12.7)

Bat Handle Toggle

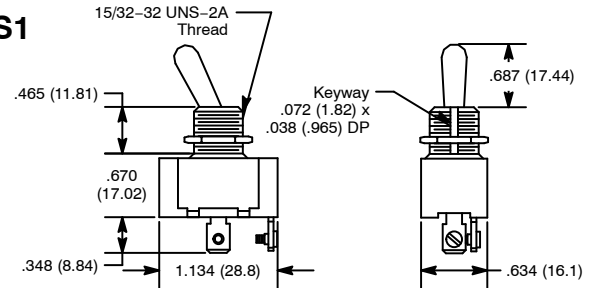


Features

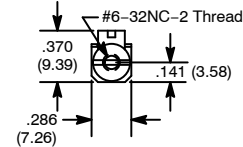
- Slow Make, Slow Break Contacts
- AC Rated, Suitable for Low Voltage DC Also
- Standard .500" Dia Mounting Hole
- Screw Mount Terminals



S1



Terminal Types
c: Screw (Assembled)



| NTE Type No. | Circuitry | Action | | | Actuator | Diag No. |
|--------------|-----------|--------|------|------|--------------------|----------|
| 54-094 | SPST | (ON) | NONE | OFF | Brass/Nickel Plate | S1c |
| 54-096 | SPDT | ON | NONE | ON | Brass/Nickel Plate | S1c |
| 54-097 | SPDT | ON | NONE | (ON) | Brass/Nickel Plate | S1c |
| 54-143 | SPST | ON | NONE | OFF | Brass/Nickel Plate | S1c |

SPECIAL NOTE: () = Momentary Function

Specifications

Current Rating: 6A 125VAC, 3A 250VAC, 1/4 HP 120-240VAC
Insulation Resistance: 100 Megohms (min.)
Dielectric Strength: 1000V RMS (min.)
Temperature Rating: 0° to +150°F (-17.8° to +65.6°C)
Electrical Life: 50,000 cycles
Mechanical Life: 100,000 cycles
Terminal Type: Screw Type
Mounting Hole: .500 (12.7)

Bat Handle Toggle

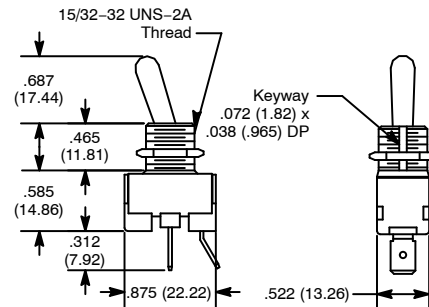


Features

- AC Rated, General Purpose
- Industry Standard .500" Dia Mounting Hole
- .250" Quick Connect Terminals

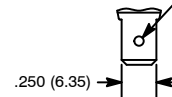


S3



Terminal Types

b: .250" Tab (Q.C.)
.075 (1.9) Dia



| NTE Type No. | Circuitry | Action | | | Actuator | Diag No. |
|--------------|-----------|--------|------|-----|--------------------|----------|
| 54-005 | SPST | ON | NONE | OFF | Brass/Nickel Plate | S3b |
| 54-098 | SPDT | ON | NONE | ON | Brass/Nickel Plate | S3b |

Specifications

Current Rating:
54-005: 20A 125VAC, 10A 250VAC, 1 1/2 HP 125-250VAC
54-098: 10A 125VAC, 5A 250VAC, 1/2 HP 125-250VAC
Insulation Resistance: 100 Megohms (min.)
Dielectric Strength: 1000V RMS (min.)
Temperature Rating: +32° to +185°F (0° to +85°C)
Electrical Life: 25,000 cycles
Mechanical Life: 100,000 cycles
Terminal Type: .250" Tab Q.C.
Mounting Hole: .500 (12.7)

Bat Handle Toggle

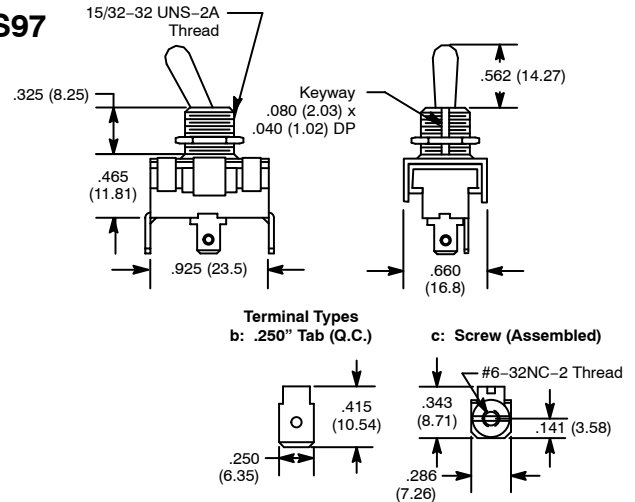


Features

- Slow-Make/Slow-Break Butt Contact
- 1 HP, 125-250VAC



S97



Specifications

Current Rating: 20A 125VAC, 10A 250VAC, 1 HP 125-250VAC
Insulation Resistance: 10⁹ ohms (min.)
Dielectric Strength: 1500V RMS (min.)
Temperature Rating: +14° to +149°F (-10° to +65°C)
Electrical Life: 10,000 cycles (min.) at full load
Mechanical Life: 30,000 cycles (min.)
Terminal Type: Refer to Diag. No. in Table
Mounting Hole: .500 (12.7)

| NTE Type No. | Circuitry | Action | | | Actuator | Diag No. |
|--------------|-----------|--------|------|-------|---------------------|----------|
| NEW 54-579 | SPST | ON | NONE | OFF | Nickel Plated Brass | S97b |
| NEW 54-580 | SPST | (ON) | NONE | OFF | Nickel Plated Brass | S97b |
| NEW 54-581 | SPST | ON | NONE | (OFF) | Nickel Plated Brass | S97b |
| NEW 54-582 | SPDT | ON | NONE | ON | Nickel Plated Brass | S97b |
| NEW 54-583 | SPDT | ON | OFF | ON | Nickel Plated Brass | S97b |
| NEW 54-584 | SPDT | (ON) | NONE | ON | Nickel Plated Brass | S97b |
| NEW 54-585 | SPDT | (ON) | OFF | ON | Nickel Plated Brass | S97b |
| NEW 54-586 | SPDT | (ON) | OFF | (ON) | Nickel Plated Brass | S97b |
| NEW 54-593 | SPST | ON | NONE | OFF | Nickel Plated Brass | S97c |
| NEW 54-594 | SPST | (ON) | NONE | OFF | Nickel Plated Brass | S97c |
| NEW 54-595 | SPST | ON | NONE | (OFF) | Nickel Plated Brass | S97c |
| NEW 54-596 | SPDT | ON | NONE | ON | Nickel Plated Brass | S97c |
| NEW 54-597 | SPDT | ON | OFF | ON | Nickel Plated Brass | S97c |
| NEW 54-598 | SPDT | (ON) | NONE | ON | Nickel Plated Brass | S97c |
| NEW 54-599 | SPDT | (ON) | OFF | ON | Nickel Plated Brass | S97c |
| NEW 54-600 | SPDT | (ON) | OFF | (ON) | Nickel Plated Brass | S97c |

SPECIAL NOTE: () = Momentary Function

Bat Handle Toggle

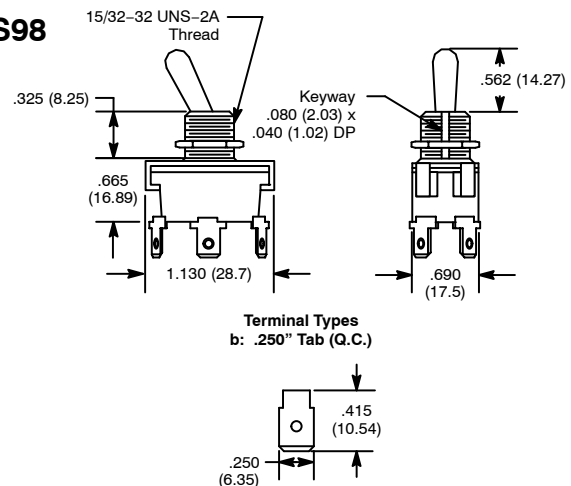


Features

- Slow-Make/Slow-Break Butt Contact
- 1 HP, 125-250VAC



S98



Specifications

Current Rating: 20A 125VAC, 10A 250VAC, 1 HP 125-250VAC
Insulation Resistance: 10⁹ ohms (min.)
Dielectric Strength: 1500V RMS (min.)
Temperature Rating: +14° to +149°F (-10° to +65°C)
Electrical Life: 10,000 cycles (min.) at full load
Mechanical Life: 30,000 cycles (min.)
Terminal Type: .250" Tab Q.C.
Mounting Hole: .500 (12.7)

| NTE Type No. | Circuitry | Action | | | Actuator | Diag No. |
|--------------|-----------|--------|------|-----|---------------------|----------|
| NEW 54-590 | DPST | ON | NONE | OFF | Nickel Plated Brass | S98b |
| NEW 54-591 | DPDT | ON | NONE | ON | Nickel Plated Brass | S98b |
| NEW 54-592 | DPDT | ON | OFF | ON | Nickel Plated Brass | S98b |

Bat Handle Toggle

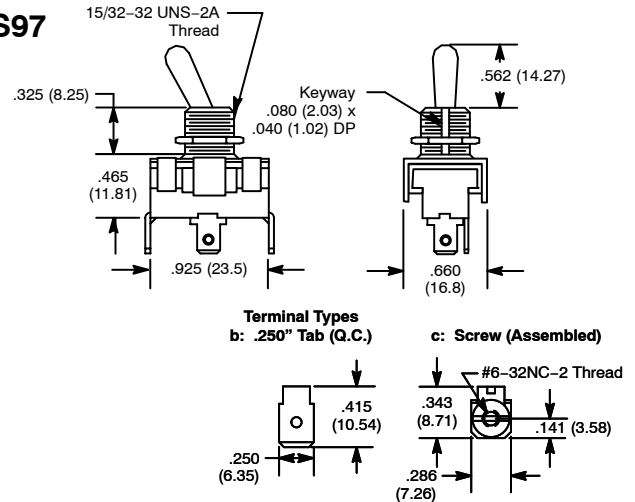


Features

- Slow-Make/Slow-Break Butt Contact
- 3/4 HP, 125-250VAC



S97



Specifications

Current Rating: 20A 125VAC, 10A 250VAC, 3/4 HP 125-250VAC
Insulation Resistance: 10⁹ ohms (min.)
Dielectric Strength: 1000V RMS (min.)
Temperature Rating: +14° to +149°F (-10° to +65°C)
Electrical Life: 10,000 cycles (min.) at full load
Mechanical Life: 30,000 cycles (min.)
Terminal Type: Refer to Diag. No. in Table
Mounting Hole: .500 (12.7)

| NTE Type No. | Circuitry | Action | | | Actuator | Diag No. |
|--------------|-----------|--------|------|-------|---------------------|----------|
| NEW 54-610 | SPST | ON | NONE | OFF | Nickel Plated Brass | S97c |
| NEW 54-611 | SPST | (ON) | NONE | OFF | Nickel Plated Brass | S97c |
| NEW 54-612 | SPST | ON | NONE | (OFF) | Nickel Plated Brass | S97c |
| NEW 54-613 | SPDT | ON | NONE | ON | Nickel Plated Brass | S97c |
| NEW 54-614 | SPDT | ON | OFF | ON | Nickel Plated Brass | S97c |
| NEW 54-615 | SPDT | (ON) | NONE | ON | Nickel Plated Brass | S97c |
| NEW 54-616 | SPDT | (ON) | OFF | ON | Nickel Plated Brass | S97c |
| NEW 54-617 | SPDT | (ON) | OFF | (ON) | Nickel Plated Brass | S97c |
| NEW 54-619 | SPST | ON | NONE | OFF | Nickel Plated Brass | S97b |
| NEW 54-620 | SPST | (ON) | NONE | OFF | Nickel Plated Brass | S97b |
| NEW 54-621 | SPST | ON | NONE | (OFF) | Nickel Plated Brass | S97b |
| NEW 54-622 | SPDT | ON | NONE | ON | Nickel Plated Brass | S97b |
| NEW 54-623 | SPDT | ON | OFF | ON | Nickel Plated Brass | S97b |
| NEW 54-624 | SPDT | (ON) | NONE | ON | Nickel Plated Brass | S97b |
| NEW 54-625 | SPDT | (ON) | OFF | ON | Nickel Plated Brass | S97b |
| NEW 54-626 | SPDT | (ON) | OFF | (ON) | Nickel Plated Brass | S97b |

SPECIAL NOTE: () = Momentary Function

Bat Handle Toggle

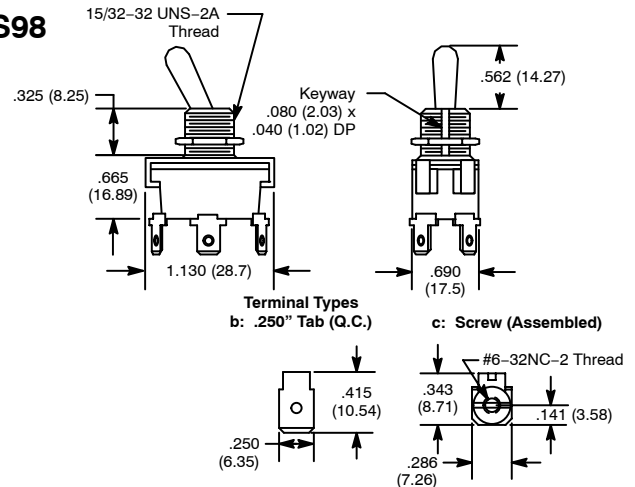


Features

- Slow-Make/Slow-Break Butt Contact
- 3/4 HP, 125-250VAC



S98



Specifications

Current Rating: 20A 125VAC, 10A 250VAC, 3/4 HP 125-250VAC
Insulation Resistance: 10⁹ ohms (min.)
Dielectric Strength: 1000V RMS (min.)
Temperature Rating: +14° to +149°F (-10° to +65°C)
Electrical Life: 10,000 cycles (min.) at full load
Mechanical Life: 30,000 cycles (min.)
Terminal Type: Refer to Diag. No. in Table
Mounting Hole: .500 (12.7)

| NTE Type No. | Circuitry | Action | | | Actuator | Diag No. |
|--------------|-----------|--------|------|-----|---------------------|----------|
| NEW 54-602 | DPST | ON | NONE | OFF | Nickel Plated Brass | S98c |
| NEW 54-603 | DPDT | ON | NONE | ON | Nickel Plated Brass | S98c |
| NEW 54-604 | DPDT | ON | OFF | ON | Nickel Plated Brass | S98c |
| NEW 54-606 | DPST | ON | NONE | OFF | Nickel Plated Brass | S98b |
| NEW 54-607 | DPDT | ON | NONE | ON | Nickel Plated Brass | S98b |
| NEW 54-608 | DPDT | ON | OFF | ON | Nickel Plated Brass | S98b |

Bat Handle Toggle

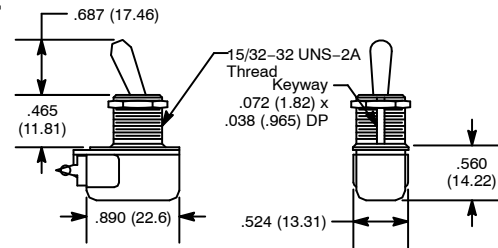


Features

- Quick Make, Quick Break Contacts
- AC/DC Shallow Back Panel Applications
- Standard .500" Dia Mounting Hole

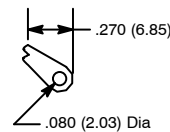


S14

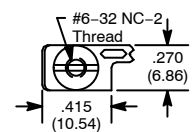


Terminal Types

a: Solder Lug (End)



c: Screw (Assembled)



Specifications

Current Rating: 6A 125VAC, 3A 250VAC, AC/DC
Insulation Resistance: 100 Megohms (min.)
Dielectric Strength: 1000V RMS (min.)
Temperature Rating: 0° to +150°F (-17.8° to +65.6°C)
Electrical Life: 25,000 cycles
Mechanical Life: 15,000 cycles
Terminal Type: Refer to Diag No. in Table
Mounting Hole: .500 (12.7)

| NTE Type No. | Circuitry | Action | | | Actuator | Diag No. |
|--------------|-----------|--------|------|-----|--------------------|----------|
| 54-070 | SPST | ON | NONE | OFF | Brass/Nickel Plate | S14a |
| 54-071 | SPST | ON | NONE | OFF | Brass/Nickel Plate | S14c |

Bat Handle Toggle

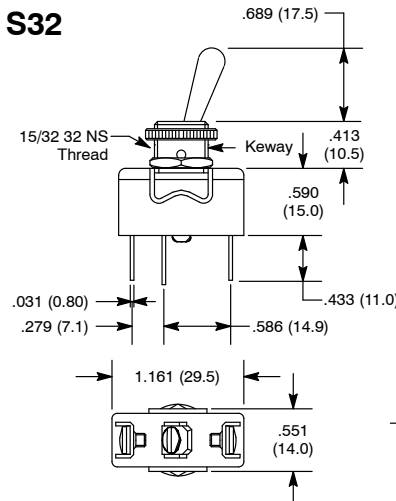


Features

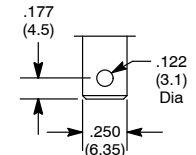
- Waterproof Types Available on Page XX



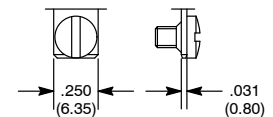
S32



a: Solder Lug/Quick Connect



c: Screw (Assembled)



Specifications

Current Rating:
Functions ON-OFF and ON-ON: 15A 250VAC or 10A 24VDC
Functions ON OFF ON: 15A 250VAC
Other Functions: 15A 125VAC, 12A 250VAC or 5A 25VDC
Insulation Resistance: 1000 Megohms (min.) at 500VDC
Dielectric Strength: 2000V RMS (min.) between terminals
Temperature Rating: -4° to +131°F (-20° to +55°C)
Electrical Life: 10,000 cycles (min.) at full load
Terminal Type: Refer to Diag No. in Table
Mounting Hole: .480 (12.2)

| NTE Type No. | Circuitry | Action | | | Actuator | Diag No. |
|--------------|-----------|--------|------|------|---------------------|----------|
| 54-348 | SPST | ON | NONE | OFF | Nickel Plated Brass | S32a |
| 54-349 | SPDT | ON | NONE | ON | Nickel Plated Brass | S32a |
| 54-350 | SPDT | ON | OFF | ON | Nickel Plated Brass | S32a |
| 54-351 | SPDT | (ON) | NONE | ON | Nickel Plated Brass | S32a |
| 54-352 | SPDT | (ON) | OFF | (ON) | Nickel Plated Brass | S32a |
| 54-353 | SPDT | ON | OFF | (ON) | Nickel Plated Brass | S32a |
| 54-354 | SPST | ON | NONE | OFF | Nickel Plated Brass | S32c |
| 54-355 | SPDT | ON | NONE | ON | Nickel Plated Brass | S32c |
| 54-356 | SPDT | ON | OFF | ON | Nickel Plated Brass | S32c |
| 54-357 | SPDT | (ON) | NONE | ON | Nickel Plated Brass | S32c |
| 54-358 | SPDT | (ON) | OFF | (ON) | Nickel Plated Brass | S32c |
| 54-359 | SPDT | ON | OFF | (ON) | Nickel Plated Brass | S32c |

SPECIAL NOTE: () = Momentary Function

Bat Handle Toggle

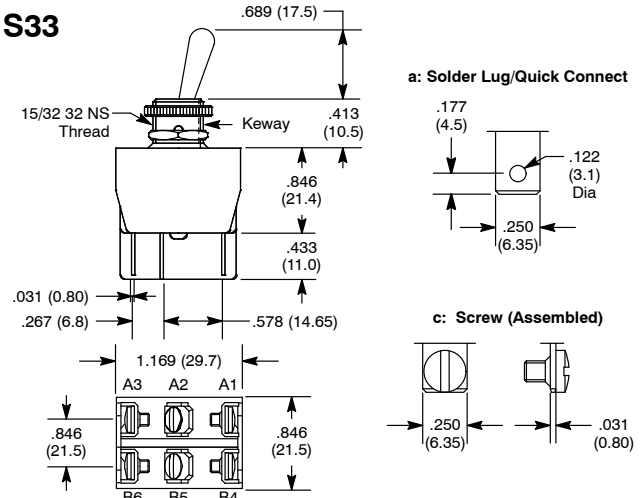


Features

- Waterproof Types Available on Page XX



S33



| NTE Type No. | Circuitry | Action | | | Actuator | Diag No. |
|--------------|-----------|--------|------|------|---------------------|----------|
| 54-360 | DPDT | ON | NONE | ON | Nickel Plated Brass | S33a |
| 54-361 | DPDT | ON | OFF | ON | Nickel Plated Brass | S33a |
| 54-362* | SP3T | ON | ON | ON | Nickel Plated Brass | S33a |
| 54-363 | DPDT | (ON) | NONE | ON | Nickel Plated Brass | S33a |
| 54-364 | DPDT | (ON) | OFF | (ON) | Nickel Plated Brass | S33a |
| 54-365 | DPDT | ON | OFF | (ON) | Nickel Plated Brass | S33a |
| 54-366 | DPST | ON | NONE | OFF | Nickel Plated Brass | S33a |
| 54-367 | DPST | ON | NONE | OFF | Nickel Plated Brass | S33c |
| 54-369 | DPDT | ON | NONE | ON | Nickel Plated Brass | S33c |
| 54-370 | DPDT | ON | OFF | ON | Nickel Plated Brass | S33c |
| 54-371* | SP3T | ON | ON | ON | Nickel Plated Brass | S33c |
| 54-372 | DPDT | (ON) | NONE | ON | Nickel Plated Brass | S33c |
| 54-373 | DPDT | (ON) | OFF | (ON) | Nickel Plated Brass | S33c |
| 54-374 | DPDT | ON | OFF | (ON) | Nickel Plated Brass | S33c |

SPECIAL NOTE: () = Momentary Function
* SP in DP case.

Specifications

Current Rating:

Functions ON-OFF and ON-ON: 15A 250VAC or 10A 24VDC

Functions ON OFF ON: 10A 125-250VAC, 1/2 HP

Other Functions: 15A 125VAC, 12A 250VAC or 5A 25VDC

Insulation Resistance: 1000 Megohms (min.) at 500VDC

Dielectric Strength: 2000V RMS (min.) between terminals

Temperature Rating: -4° to +131°F (-20° to +55°C)

Electrical Life: 10,000 cycles (min.) at full load

Terminal Type: Refer to Diag No. in Table

Mounting Hole: .480 (12.2)

Bat Handle Toggle

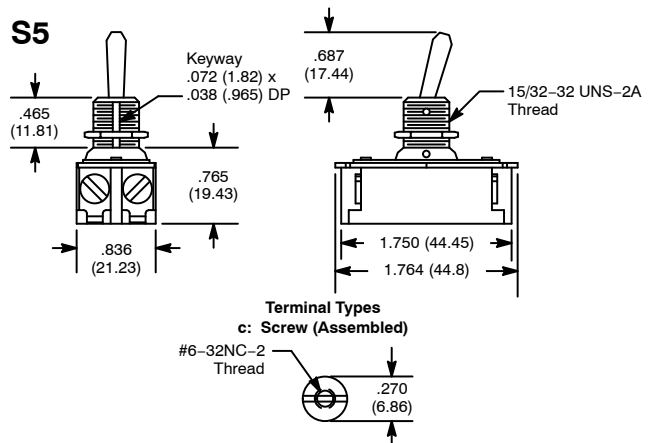


Features

- Quick Make, Quick Break Contacts
- Suitable for High Amperage AC/DC Motor Control
- Screw Terminals



S5



Specifications

Current Rating: 16A 125VAC, 8A 250VAC, 1 HP 125-250VAC

Insulation Resistance: 100 Megohms (min.)

Dielectric Strength: 1000V RMS (min.)

Temperature Rating: 0° to +150°F (-17.8° to +65.6°C)

Electrical Life: 25,000 cycles

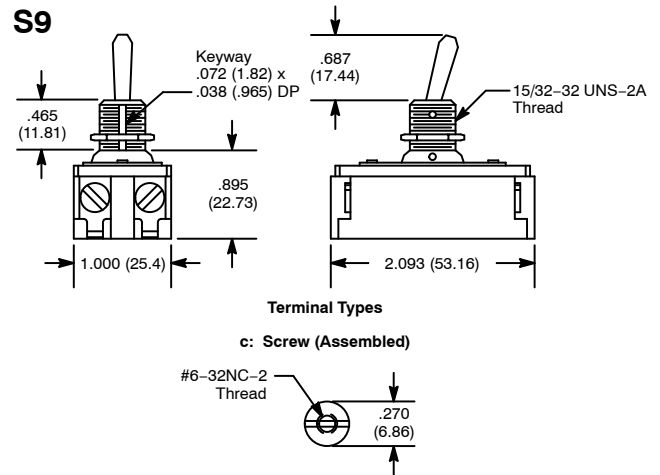
Mechanical Life: 100,000 cycles

Terminal Type: Screw Type

Mounting Hole: .500 (12.7)

| NTE Type No. | Circuitry | Action | | | Actuator | Diag No. |
|--------------|-----------|--------|------|-----|--------------------|----------|
| 54-055 | DPST | ON | NONE | OFF | Brass/Nickel Plate | S5c |
| 54-056 | SPST | ON | NONE | OFF | Brass/Nickel Plate | S5c |

Bat Handle Toggle

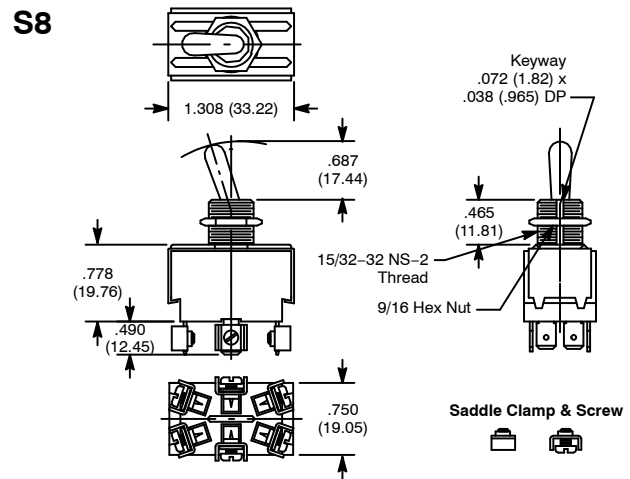


| NTE Type No. | Circuitry | Action | | | Actuator | Diag No. |
|--------------|-----------|--------|------|-----|--------------------|----------|
| 54-057 | DPST | ON | NONE | OFF | Brass/Nickel Plate | S9 |

Specifications

Current Rating: 20A 125VAC, 10A 250VAC, 1 1/2 HP 125-250VAC
Insulation Resistance: 100 Megohms (min.)
Dielectric Strength: 1000V RMS (min.)
Temperature Rating: 0°F to +150°F (-17.8°C to +65.6°C)
Electrical Life: 25,000 cycles
Mechanical Life: 100,000 cycles
Terminal Type: Screw Type
Mounting Hole: .500 (12.7)

Bat Handle Toggle



| NTE Type No. | Circuitry | Action | | | Actuator | Diag No. |
|--------------|-----------|--------|------|-----|--------------------|----------|
| 54-026 | DPST | ON | NONE | OFF | Brass/Nickel Plate | S8 |
| 54-027 | DPDT | ON | NONE | ON | Brass/Nickel Plate | S8 |
| 54-028 | DPDT | ON | OFF | ON | Brass/Nickel Plate | S8 |

Specifications

Current Rating: 15A 125VAC, 10A 250VAC, 3/4 HP 125-250VAC
Insulation Resistance: 100 Megohms (min.)
Dielectric Strength: 1000V RMS (min.)
Temperature Rating: +32°F to +185°F (0°C to +85°C)
Electrical Life: 50,000 cycles
Mechanical Life: 100,000 cycles
Terminal Type: "3-in-1" Combi-Terminal
Mounting Hole: .500 (12.7)

Bat Handle Toggle



Features

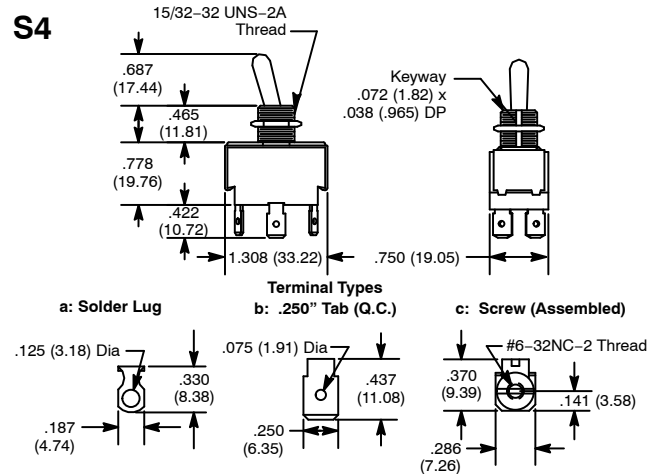
- Slow Make, Slow Break Contacts
- Heavy Duty AC Rated Also Suitable for Low Voltage DC Applications
- Industry Standard .500" Dia Mounting Hole
- Various Terminal Selections



| NTE Type No. | Circuitry | Current Rating | Action | | | Actuator | Diag No. |
|--------------|-----------|----------------|--------|------|-------|--------------------|----------|
| 54-003 | DPDT | A | ON | NONE | ON | Brass/Nickel Plate | S4b |
| 54-004 | DPST | A | ON | NONE | OFF | Brass/Nickel Plate | S4b |
| 54-011 | DPST | A | ON | NONE | OFF | Brass/Nickel Plate | S4c |
| 54-012 | DPDT | A | ON | OFF | ON | Brass/Nickel Plate | S4b |
| 54-013 | DPDT | A | ON | OFF | ON | Brass/Nickel Plate | S4c |
| 54-093 | SPST | B | ON | NONE | OFF | Brass/Nickel Plate | S4c |
| 54-095 | SPDT | B | ON | OFF | ON | Brass/Nickel Plate | S4c |
| 54-099 | DPDT | B | ON | NONE | ON | Brass/Nickel Plate | S4c |
| 54-100 | DPDT | B | ON | OFF | ON | Brass/Nickel Plate | S4c |
| 54-101 | DPDT | C | ON | NONE | (ON) | Brass/Nickel Plate | S4a |
| 54-103 | SPST | A | (ON) | NONE | OFF | Brass/Nickel Plate | S4c |
| 54-104 | SPST | A | ON | NONE | (OFF) | Brass/Nickel Plate | S4c |
| 54-137* | SPST | D | ON | NONE | OFF | Brass/Nickel Plate | S4a |

SPECIAL NOTE: () = Momentary Function
* SP in DP case.

S4



Specifications

Current Rating:

- A:** 15A 125VAC, 10A 250VAC, 3/4 HP 125-250VAC
B: 20A 125-277VAC, 1 1/2 HP 125VAC, 2 HP 250VAC
C: 6A 125VAC, 3A 250VAC, 1/4HP 125-250VAC
D: 20A 250VAC

Insulation Resistance: 100 Megohms (min.)

Dielectric Strength: 1000V RMS (min.)

Temperature Rating: +32° to +185°F (0° to +85°C)

Electrical Life: 25,000 cycles

Mechanical Life: 100,000 cycles

Terminal Type: Refer to Diag No. in Table

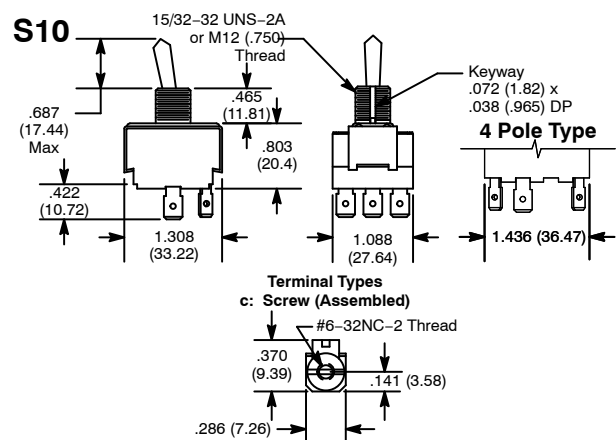
Mounting Hole: .500 (12.7)

Bat Handle Toggle



| NTE Type No. | Circuitry | Action | | | Actuator | Diag No. |
|--------------|-----------|--------|------|----|--------------------|----------|
| 54-014 | 3PST | OFF | NONE | ON | Brass/Nickel Plate | S10c |
| 54-015 | 3PDT | ON | OFF | ON | Brass/Nickel Plate | S10c |
| 54-016 | 3PDT | ON | NONE | ON | Brass/Nickel Plate | S10c |
| 54-017 | 4PDT | ON | OFF | ON | Brass/Nickel Plate | S10c |
| 54-018 | 4PST | OFF | NONE | ON | Brass/Nickel Plate | S10c |
| 54-019 | 4PDT | ON | NONE | ON | Brass/Nickel Plate | S10c |

S10



Specifications

Current Rating: 15A 125VAC, 10A 250VAC, 3/4 HP 125-250VAC, 1, 2 or 3 Phase

Insulation Resistance: 100 Megohms (min.)

Dielectric Strength: 1000V RMS (min.)

Temperature Rating: 0° to +150°F (-17.8° to +65.6°C)

Electrical Life: 50,000 cycles

Mechanical Life: 100,000 cycles

Terminal Type: Screw Type

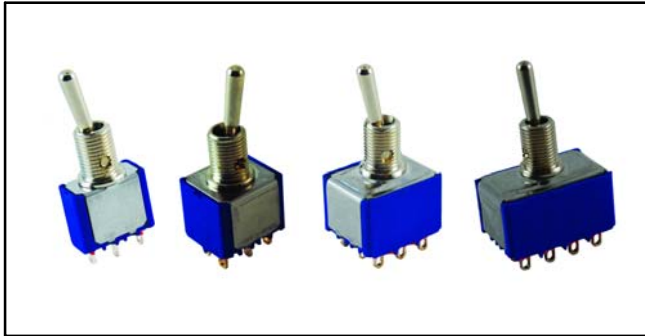
Mounting Hole: .500 (12.7) Max.

Bat Handle Mini Toggle

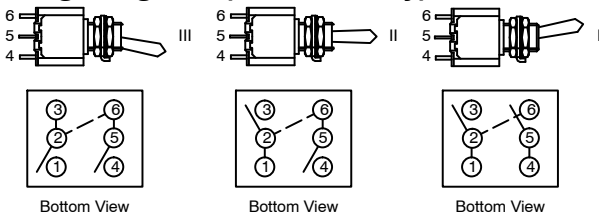


Features

- SP, DP, 3P & 4P Types
- PC Terminal Types Available (PC suffix)
- Epoxy Sealed Terminals
- Typical Applications Include: Switching Power Supplies, DC-DC Converters, Motors, etc.

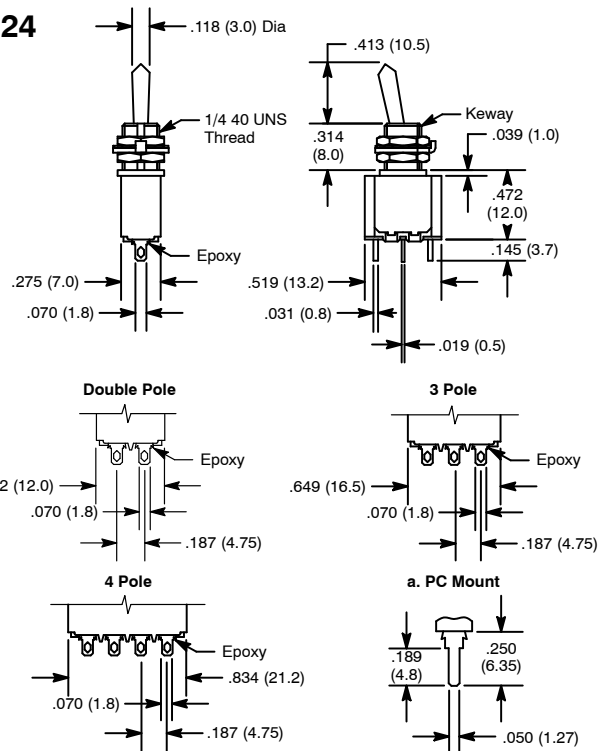


Wiring Diagram (54-306 Only)



Equivalent to single pole 3 throw switch. Dotted line between terminals 2 & 6 indicate external jumpers to be added by customer.

S24



Specifications

- Current Rating:** 6A 125VAC, 3A 250VAC or 4A 30VDC
5A 120VAC or 28VDC, 2A 250VAC **PC Mount Only**
- Insulation Resistance:** 1000 Megohms (min.) at 500VDC
- Dielectric Strength:** 1000V RMS (min.) between terminals
- Temperature Rating:** -40° to +185°F (-40° to +85°C)
- Electrical Life:** 50,000 cycles (min.)
40,000 cycles (min.) **3 Pole Only**
30,000 cycles (min.) **4 Pole Only**
- Terminal Type:** Refer to Diag No. in Table
- Mounting Hole:** .255 (6.5)

| | NTE Type No. | Circuitry | Action | | | Actuator | Diag No. |
|------------|--------------|-----------|--------|------|------|---------------------|----------|
| | 54-301 | SPDT | ON | NONE | (ON) | Chrome Plated Brass | S24 |
| NEW | 54-301PC | SPDT | ON | NONE | (ON) | Chrome Plated Brass | S24a |
| | 54-302 | SPDT | ON | NONE | (ON) | Chrome Plated Brass | S24 |
| NEW | 54-302PC | SPDT | ON | NONE | (ON) | Chrome Plated Brass | S24a |
| | 54-303 | SPDT | ON | OFF | (ON) | Chrome Plated Brass | S24 |
| NEW | 54-303PC | SPDT | ON | OFF | (ON) | Chrome Plated Brass | S24a |
| | 54-304 | SPDT | ON | OFF | (ON) | Chrome Plated Brass | S24 |
| NEW | 54-304PC | SPDT | ON | OFF | (ON) | Chrome Plated Brass | S24a |
| | 54-305 | SPDT (ON) | OFF | (ON) | (ON) | Chrome Plated Brass | S24 |
| NEW | 54-305PC | SPDT (ON) | OFF | (ON) | (ON) | Chrome Plated Brass | S24a |
| | 54-306* | SP3T | ON | ON | ON | Chrome Plated Brass | S24 |
| | 54-307 | DPDT | ON | NONE | ON | Chrome Plated Brass | S24 |
| NEW | 54-307PC | DPDT | ON | NONE | ON | Chrome Plated Brass | S24a |
| | 54-308 | DPDT | ON | OFF | ON | Chrome Plated Brass | S24 |
| NEW | 54-308PC | DPDT | ON | OFF | ON | Chrome Plated Brass | S24a |
| | 54-309 | DPDT | ON | NONE | (ON) | Chrome Plated Brass | S24 |
| NEW | 54-309PC | DPDT | ON | NONE | (ON) | Chrome Plated Brass | S24a |
| | 54-310 | DPDT | ON | OFF | (ON) | Chrome Plated Brass | S24 |
| NEW | 54-310PC | DPDT | ON | OFF | (ON) | Chrome Plated Brass | S24a |
| | 54-311 | DPDT | (ON) | OFF | (ON) | Chrome Plated Brass | S24 |
| NEW | 54-311PC | DPDT | (ON) | OFF | (ON) | Chrome Plated Brass | S24a |
| | 54-312 | 4PDT | ON | NONE | ON | Chrome Plated Brass | S24 |
| NEW | 54-312PC | 4PDT | ON | NONE | ON | Chrome Plated Brass | S24a |
| | 54-313 | 4PDT | ON | OFF | ON | Chrome Plated Brass | S24 |
| NEW | 54-313PC | 4PDT | ON | OFF | ON | Chrome Plated Brass | S24a |
| | 54-314 | 4PDT | (ON) | OFF | (ON) | Chrome Plated Brass | S24 |
| | 54-315 | 4PDT | ON | OFF | (ON) | Chrome Plated Brass | S24 |
| | 54-316 | 4PDT | ON | NONE | (ON) | Chrome Plated Brass | S24 |
| NEW | 54-316PC | 4PDT | ON | NONE | (ON) | Chrome Plated Brass | S24a |
| | 54-323 | 3PDT | ON | NONE | ON | Chrome Plated Brass | S24 |
| NEW | 54-323PC | 3PDT | ON | NONE | ON | Chrome Plated Brass | S24a |
| | 54-324 | 3PDT | ON | OFF | ON | Chrome Plated Brass | S24 |
| NEW | 54-324PC | 3PDT | ON | OFF | ON | Chrome Plated Brass | S24a |
| | 54-325 | 3PDT (ON) | OFF | (ON) | (ON) | Chrome Plated Brass | S24 |
| | 54-326 | 3PDT | ON | OFF | (ON) | Chrome Plated Brass | S24 |
| | 54-327 | 3PDT | ON | NONE | (ON) | Chrome Plated Brass | S24 |
| NEW | 54-327PC | 3PDT | ON | NONE | (ON) | Chrome Plated Brass | S24a |

SPECIAL NOTE: () = Momentary Function
* SP in DP case.

Bat Handle Subminiature Toggle

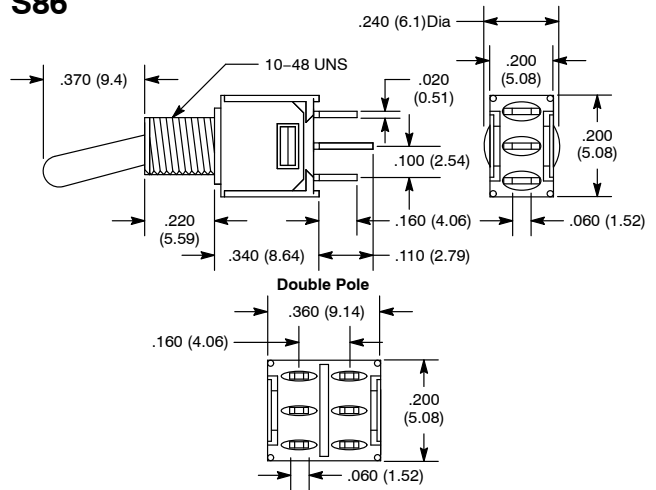


Features

- Single and Double Pole Types
- Epoxy Sealed Terminals



S86



Specifications

Current Rating: 3A 120VAC or 28VDC, 1.5A 250VAC
Insulation Resistance: 1000 Megohms (min.)
Dielectric Strength: 1500V RMS (min.)
Temperature Rating: -22° to +185°F (-30° to +85°C)
Electrical Life: 30,000 cycles (min.)
Terminal Type: Solder Lug
Mounting Hole: .192 (4.9)

| NTE Type No. | Circuitry | Action | | | Actuator | Diag No. |
|--------------|-----------|--------|------|-----|---------------------|----------|
| 54-140 | SPST | ON | NONE | OFF | Chrome Plated Brass | S86 |
| 54-141 | SPDT | ON | NONE | ON | Chrome Plated Brass | S86 |
| 54-142 | DPDT | ON | NONE | ON | Chrome Plated Brass | S86 |

SPECIAL NOTE: () = Momentary Function

Bat Handle Subminiature Toggle

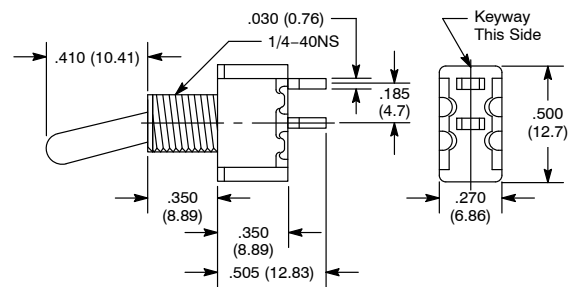


Features

- Epoxy Sealed Terminals



S95



Specifications

Current Rating: 5A 120VAC or 28VDC, 2A 250VAC
Insulation Resistance: 1000 Megohms (min.)
Dielectric Strength: 1000V RMS (min.)
Temperature Rating: -22° to +266°F (-30° to +130°C)
Electrical Life: 50,000 cycles (min.)
Terminal Type: Solder Lug
Mounting Hole: .250 (6.35)

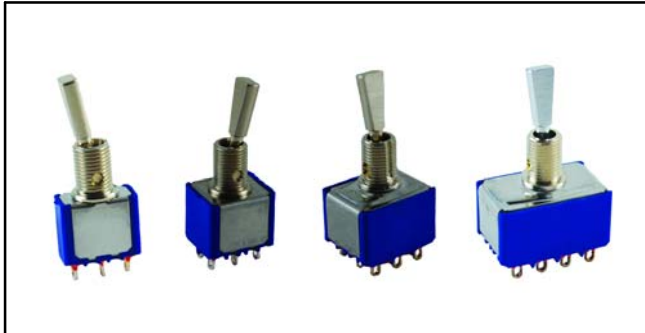
| NTE Type No. | Circuitry | Action | | | Actuator | Diag No. |
|--------------|-----------|--------|------|-----|---------------------|----------|
| 54-395 | SPST | ON | NONE | OFF | Chrome Plated Brass | S95 |

Flatted Handle Mini Toggle



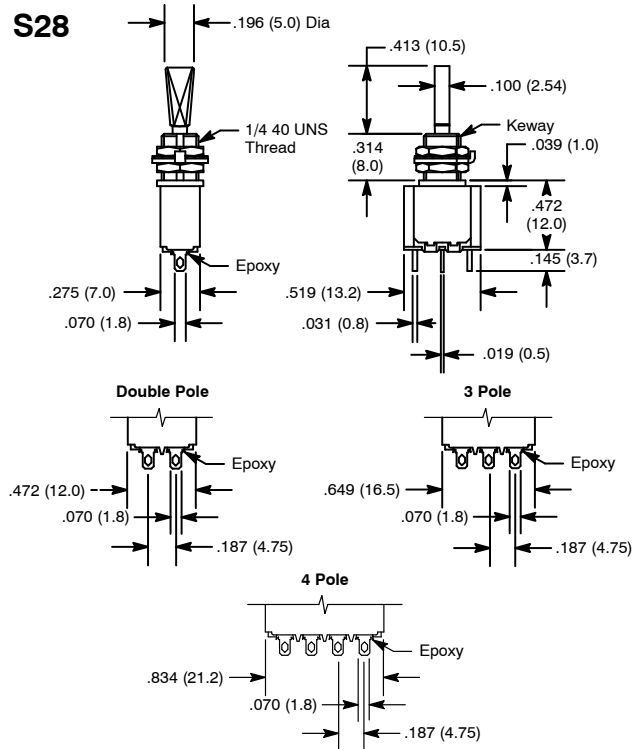
Features

- SP, DP, 3P & 4P Types
- Epoxy Sealed Terminals
- Typical Applications Include: Switching Power Supplies, DC-DC Converters, Motors, etc.



| NTE Type No. | Circuitry | Action | | | Actuator | Diag No. |
|--------------|-----------|--------|------|------|---------------------|----------|
| 54-328 | SPDT | ON | NONE | ON | Chrome Plated Brass | S28 |
| 54-329 | SPDT | ON | OFF | ON | Chrome Plated Brass | S28 |
| 54-330 | SPDT | (ON) | OFF | (ON) | Chrome Plated Brass | S28 |
| 54-331 | SPDT | ON | OFF | (ON) | Chrome Plated Brass | S28 |
| 54-332 | SPDT | ON | NONE | (ON) | Chrome Plated Brass | S28 |
| 54-333 | DPDT | ON | NONE | ON | Chrome Plated Brass | S28 |
| 54-334 | DPDT | ON | OFF | ON | Chrome Plated Brass | S28 |
| 54-335 | DPDT | (ON) | OFF | (ON) | Chrome Plated Brass | S28 |
| 54-336 | DPDT | ON | OFF | (ON) | Chrome Plated Brass | S28 |
| 54-337 | DPDT | ON | NONE | (ON) | Chrome Plated Brass | S28 |
| 54-338 | 3PDT | ON | NONE | ON | Chrome Plated Brass | S28 |
| 54-339 | 3PDT | ON | OFF | ON | Chrome Plated Brass | S28 |
| 54-340 | 3PDT | (ON) | OFF | (ON) | Chrome Plated Brass | S28 |
| 54-341 | 3PDT | ON | OFF | (ON) | Chrome Plated Brass | S28 |
| 54-342 | 3PDT | ON | NONE | (ON) | Chrome Plated Brass | S28 |
| 54-343 | 4PDT | ON | NONE | ON | Chrome Plated Brass | S28 |
| 54-344 | 4PDT | ON | OFF | ON | Chrome Plated Brass | S28 |
| 54-345 | 4PDT | (ON) | OFF | (ON) | Chrome Plated Brass | S28 |
| 54-346 | 4PDT | ON | OFF | (ON) | Chrome Plated Brass | S28 |
| 54-347 | 4PDT | ON | NONE | (ON) | Chrome Plated Brass | S28 |

SPECIAL NOTE: () = Momentary Function



Specifications

- Current Rating:** 6A 125VAC, 3A 250VAC or 4A 30VDC
- Insulation Resistance:** 1000 Megohms (min.) at 500VDC
- Dielectric Strength:** 1000V RMS (min.) between terminals
- Temperature Rating:** -40° to +185°F (-40° to +85°C)
- Electrical Life:** 50,000 cycles (min.)
40,000 cycles (min.) **3 Pole Only**
30,000 cycles (min.) **4 Pole Only**
- Terminal Type:** Solder Lug
- Mounting Hole:** .255 (6.5)

Nylon Paddle Toggle



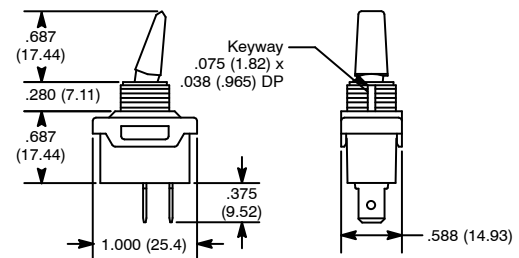
Features

- Nylon Insulated Toggle
- Self-Cleaning Wiping Contacts
- Industry Standard .500" Dia Mounting Hole
- Support Double Insulated Requirements



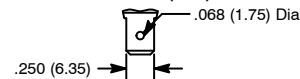
| NTE Type No. | Circuitry | Action | | | Actuator | Diag No. |
|--------------|-----------|--------|------|----|-------------|----------|
| 54-020 | SPST | OFF | NONE | ON | Black Nylon | S6b |
| 54-021 | SPDT | ON | NONE | ON | Black Nylon | S6b |
| 54-022 | SPDT | ON | OFF | ON | Black Nylon | S6b |

S6



Terminal Types

b: .250" Tab (Q.C.)



Specifications

Current Rating: 20A 125VAC, 10A 250VAC, 1 1/2 HP 125-250VAC
Insulation Resistance: 100 Megohms (min.)
Dielectric Strength: 1000V RMS (min.)
Temperature Rating: +32° to +185°F (0° to +85°C)
Electrical Life: 25,000 cycles
Mechanical Life: 100,000 cycles
Terminal Type: .250" Tab Q.C.
Mounting Hole: .500 (12.7)

Nylon Paddle Toggle



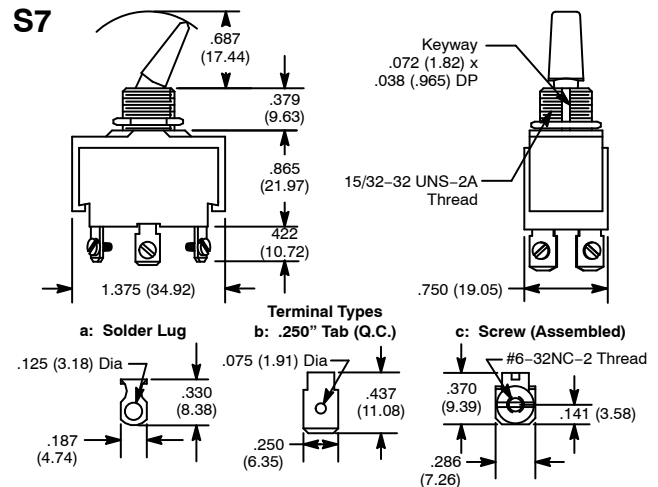
Features

- Slow Make, Slow Break Contacts
- Heavy Duty AC Rated Also Suitable for Low Voltage DC Applications
- Industry Standard .500" Dia Mounting Hole



| NTE Type No. | Circuitry | Action | | | Actuator | Diag No. |
|--------------|-----------|--------|------|-----|---------------------|----------|
| 54-084 | DPDT | ON | NONE | ON | Black Polycarbonate | S7a |
| 54-085 | DPDT | ON | OFF | ON | Black Polycarbonate | S7a |
| 54-107 | DPST | ON | NONE | OFF | Black Polycarbonate | S7b |
| 54-108 | DPDT | ON | NONE | ON | Black Polycarbonate | S7b |
| 54-109 | DPDT | ON | OFF | ON | Black Polycarbonate | S7b |
| 54-110 | SPST | ON | NONE | OFF | Black Polycarbonate | S7c |
| 54-111 | SPDT | ON | NONE | ON | Black Polycarbonate | S7c |
| 54-112 | DPST | ON | NONE | OFF | Black Polycarbonate | S7c |
| 54-113 | DPDT | ON | NONE | ON | Black Polycarbonate | S7c |
| 54-119 | SPDT | ON | OFF | ON | Black Polycarbonate | S7b |
| 54-120 | DPDT | ON | OFF | ON | Black Polycarbonate | S7c |

S7



Specifications

Current Rating:
54-084 & 54-085: 6A 125VAC, 3A 250VAC, 1/4 HP 125-250VAC
All Other Devices: 20A 125-277VAC, 1 1/2 HP 125VAC, 2 HP 250VAC
Insulation Resistance: 100 Megohms (min.)
Dielectric Strength: 1000V RMS (min.)
Temperature Rating: +32° to +185°F (0° to +85°C)
Electrical Life: 50,000 cycles
Mechanical Life: 100,000 cycles
Terminal Type: Refer to Diag No. in Table
Mounting Hole: .500 (12.7)

Nylon Paddle Toggle

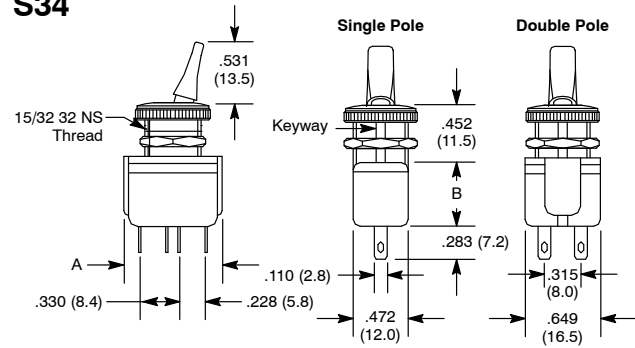


Features

- Quick Connect Terminals
- Insulated Actuator



S34



| Device Type | A | B |
|-------------|-------------|-------------|
| Single Pole | .748 (19.0) | .551 (14.0) |
| Double Pole | .826 (21.0) | .590 (15.0) |

| NTE Type No. | Circuitry | Action | | | Actuator | Diag No. |
|--------------|-----------|--------|------|-----|---------------------|----------|
| 54-317 | SPDT | ON | NONE | ON | Black Polyamide 6-6 | S34 |
| 54-318 | SPDT | ON | OFF | ON | Black Polyamide 6-6 | S34 |
| 54-319 | SPST | ON | NONE | OFF | Black Polyamide 6-6 | S34 |
| 54-320 | DPST | ON | NONE | OFF | Black Polyamide 6-6 | S34 |
| 54-321 | DPDT | ON | NONE | ON | Black Polyamide 6-6 | S34 |
| 54-322 | DPDT | ON | OFF | ON | Black Polyamide 6-6 | S34 |

Specifications

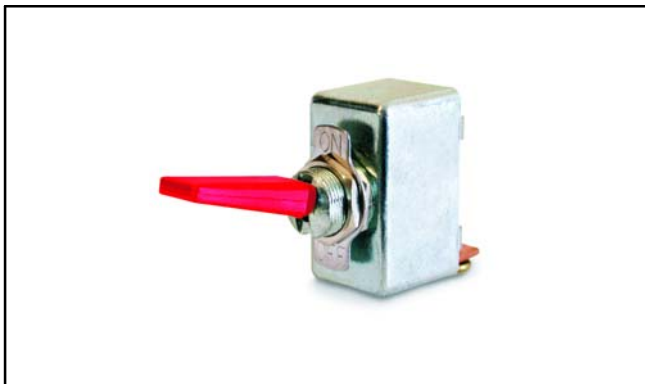
Current Rating: 6A 125VAC, 4A 250VAC
Insulation Resistance: 1000 Megohms (min.) at 500VDC
Dielectric Strength: 2000V RMS (min.) between terminals
Temperature Rating: -4° to +131°F (-20° to +55°C)
Electrical Life: 10,000 cycles (min.)
Terminal Type: Solder Lug/Quick Connect
Mounting Hole: .492 (12.5)

Paddle Handle Toggle

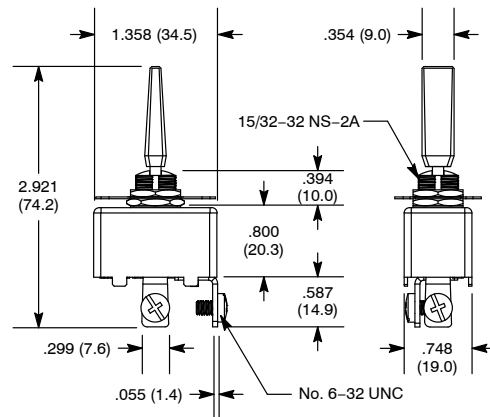


Features

- 50 Amps at 12VDC
- Suitable for Low Voltage, High Amperage Applications
- Screw Terminals



S26



Specifications

Current Rating: 50A 12VDC
Insulation Resistance: 100 Megohms (min.) at 500VDC
Dielectric Strength: 1500V RMS (min.)
Temperature Rating: -4° to +180°F (-20° to +85°C)
Electrical Life: 25,000 cycles
Mechanical Life: 100,000 cycles
Terminal Type: Screw Type
Mounting Hole: .500 (12.7)

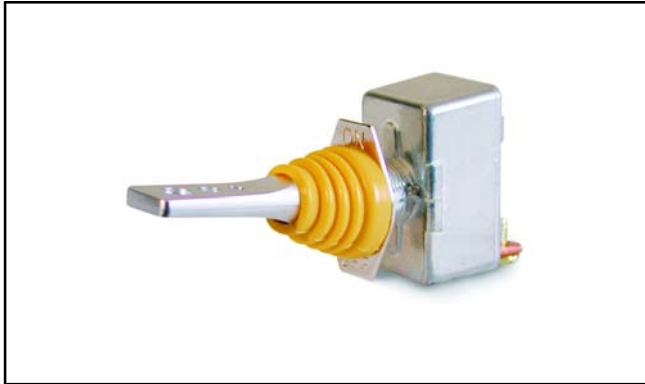
| NTE Type No. | Circuitry | Action | | | Actuator | | Diag No. |
|--------------|-----------|--------|------|-----|----------------------|--------|----------|
| | | | | | Material | Color | |
| 54-560 | SPST | ON | NONE | OFF | ABS | Black | S26 |
| 54-561 | SPST | ON | NONE | OFF | ABS | Red | S26 |
| 54-562 | SPST | ON | NONE | OFF | ABS w/Chrome Plating | Chrome | S26 |

Paddle Handle Toggle

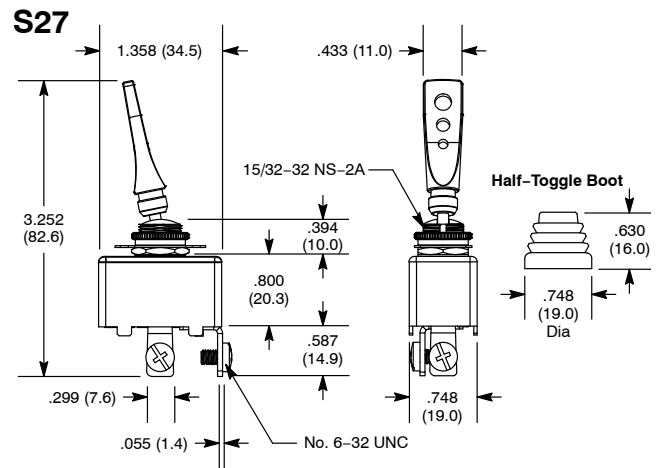


Features

- 50 Amps at 12VDC
- Interchangeable Boots (Red, Black, Yellow and Blue) Included
- Screw Terminals



| NTE Type No. | Circuitry | Action | | | Actuator | Diag No. |
|--------------|-----------|--------|------|-----|---------------|----------|
| 54-563 | SPST | ON | NONE | OFF | Chrome Plated | S27 |



Specifications

Current Rating: 50A 12VDC
Insulation Resistance: 100 Megohms (min.) at 500VDC
Dielectric Strength: 1500V RMS (min.)
Temperature Rating: -4° to +180°F (-20° to +85°C)
Electrical Life: 25,000 cycles
Mechanical Life: 100,000 cycles
Terminal Type: Screw Type
Mounting Hole: .500 (12.7)

Long Bat Handle Toggle

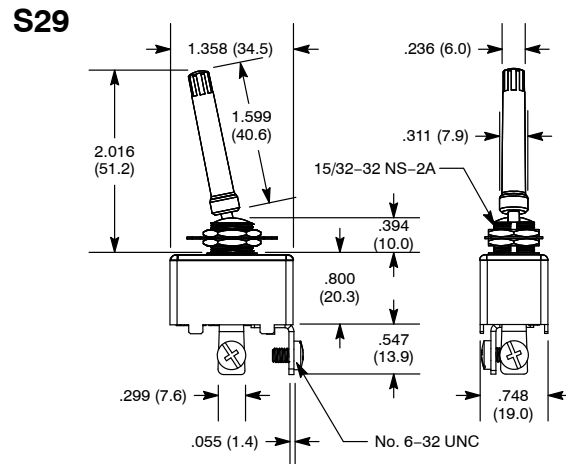


Features

- 50 Amps at 12VDC
- 1 5/8" Long Bat Handle
- Screw Terminals



| NTE Type No. | Circuitry | Action | | | Actuator | Diag No. |
|--------------|-----------|--------|------|-----|---------------|----------|
| 54-564 | SPST | ON | NONE | OFF | Chrome Plated | S29 |



Specifications

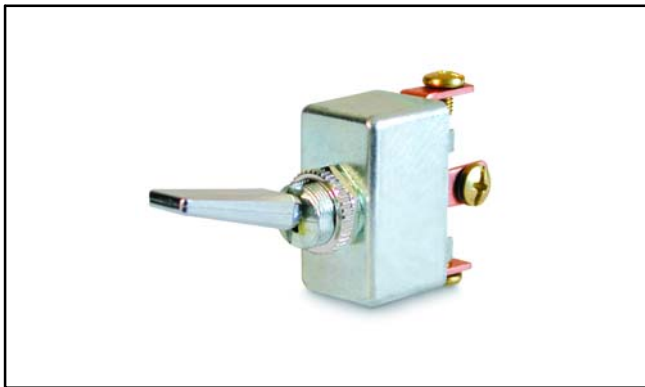
Current Rating: 50A 12VDC
Insulation Resistance: 100 Megohms (min.) at 500VDC
Dielectric Strength: 1500V RMS (min.)
Temperature Rating: -4° to +180°F (-20° to +85°C)
Electrical Life: 25,000 cycles
Mechanical Life: 100,000 cycles
Terminal Type: Screw Type
Mounting Hole: .500 (12.7)

Paddle Toggle

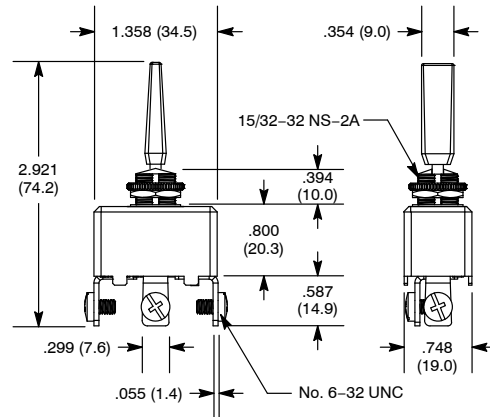


Features

- 50 Amps at 12VDC
- Screw Terminals



S30



| NTE Type No. | Circuitry | Action | | | Actuator | Diag No. |
|--------------|-----------|--------|-----|----|---------------|----------|
| 54-565 | SPDT | ON | OFF | ON | Chrome Plated | S29 |

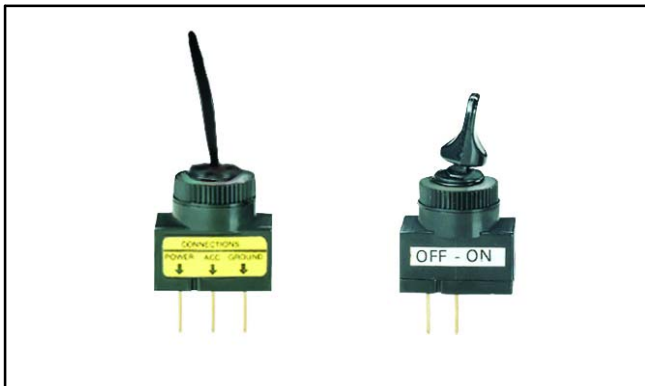
Specifications

Current Rating: 50A 12VDC
Insulation Resistance: 100 Megohms (min.) at 500VDC
Dielectric Strength: 1500V RMS (min.)
Temperature Rating: -4° to +180°F (-20° to +85°C)
Electrical Life: 25,000 cycles
Mechanical Life: 100,000 cycles
Terminal Type: Screw Type
Mounting Hole: .500 (12.7)

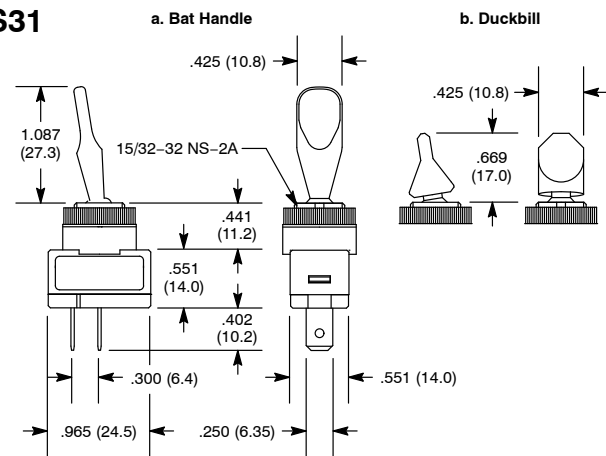
On/Off Bat Handle and Duckbill Toggle

Features

- Illuminated Types Available on Page XX
- Bat Handle (54-566) and Duckbill (54-571) Types
- .250" Quick-Connect Terminals



S31



| NTE Type No. | Circuitry | Action | | | Actuator | Diag No. |
|--------------|-----------|--------|------|-----|------------------------|----------|
| 54-566 | SPST | ON | NONE | OFF | Black Brushed Aluminum | S31a |
| 54-571 | SPST | ON | NONE | OFF | | S31b |

Specifications

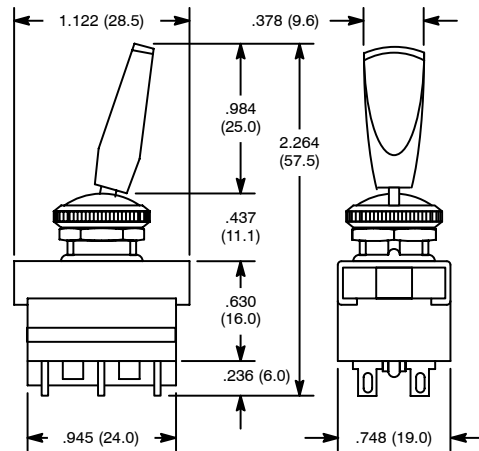
Current Rating: 20A 12VDC
Insulation Resistance: 100 Megohms (min.) at 500VDC
Dielectric Strength: 1000V RMS (min.)
Temperature Rating: -4° to +180°F (-20° to +85°C)
Electrical Life: 25,000 cycles
Mechanical Life: 100,000 cycles
Terminal Type: .250" Tab Q.C.
Mounting Hole: .500 (12.7)

Paddle Toggle



| NTE Type No. | Circuitry | Action | | | Actuator | Diag No. |
|--------------|-----------|--------|-----|----|-----------------|----------|
| 54-381 | DPDT | ON | OFF | ON | Black ABS Resin | S69 |

S69



Specifications

- Current Rating:** 6A 250VAC
- Insulation Resistance:** 100 Megohms (min.) at 500VDC
- Dielectric Strength:** 1500V RMS (min.)
- Temperature Rating:** +14° to +131°F (-10° to +55°C)
- Electrical Life:** 6,000 cycles
- Mechanical Life:** 30,000 cycles
- Terminal Type:** Solder Lug
- Mounting Hole:** .472 (12.0)