

Bat Handle Toggle, Single Pole

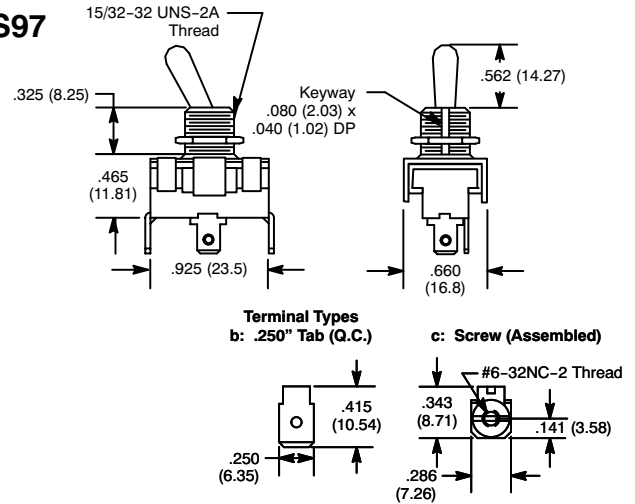


Features

- Slow-Make/Slow-Break Butt Contact
- 3/4 HP, 125-250VAC



S97



Specifications

Current Rating: 20A 125VAC, 10A 250VAC, 3/4 HP 125-250VAC
Insulation Resistance: 10⁹ ohms (min.)
Dielectric Strength: 1000V RMS (min.)
Temperature Rating: +14°F to +149°F (-10°C to +65°C)
Electrical Life: 10,000 cycles (min.) at full load
Mechanical Life: 30,000 cycles (min.)
Terminal Type: Refer to Diag. No. in Table
Mounting Hole: .500 (12.7)

NTE Type No.	Circuitry	Action			Actuator	Diag No.
NEW 54-610	SPST	ON	NONE	OFF	Nickel Plated Brass	S97c
NEW 54-611	SPST	(ON)	NONE	OFF	Nickel Plated Brass	S97c
NEW 54-612	SPST	ON	NONE	(OFF)	Nickel Plated Brass	S97c
NEW 54-613	SPDT	ON	NONE	ON	Nickel Plated Brass	S97c
NEW 54-614	SPDT	ON	OFF	ON	Nickel Plated Brass	S97c
NEW 54-615	SPDT	(ON)	NONE	ON	Nickel Plated Brass	S97c
NEW 54-616	SPDT	(ON)	OFF	ON	Nickel Plated Brass	S97c
NEW 54-617	SPDT	(ON)	OFF	(ON)	Nickel Plated Brass	S97c
NEW 54-619	SPST	ON	NONE	OFF	Nickel Plated Brass	S97b
NEW 54-620	SPST	(ON)	NONE	OFF	Nickel Plated Brass	S97b
NEW 54-621	SPST	ON	NONE	(OFF)	Nickel Plated Brass	S97b
NEW 54-622	SPDT	ON	NONE	ON	Nickel Plated Brass	S97b
NEW 54-623	SPDT	ON	OFF	ON	Nickel Plated Brass	S97b
NEW 54-624	SPDT	(ON)	NONE	ON	Nickel Plated Brass	S97b
NEW 54-625	SPDT	(ON)	OFF	ON	Nickel Plated Brass	S97b
NEW 54-626	SPDT	(ON)	OFF	(ON)	Nickel Plated Brass	S97b

SPECIAL NOTE: () = Momentary Function

Bat Handle Toggle, Double Pole

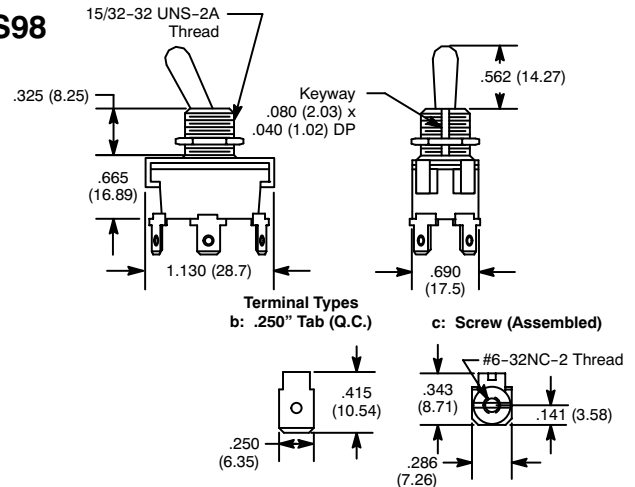


Features

- Slow-Make/Slow-Break Butt Contact
- 3/4 HP, 125-250VAC



S98



Specifications

Current Rating: 20A 125VAC, 10A 250VAC, 3/4 HP 125-250VAC
Insulation Resistance: 10⁹ ohms (min.)
Dielectric Strength: 1000V RMS (min.)
Temperature Rating: +14°F to +149°F (-10°C to +65°C)
Electrical Life: 10,000 cycles (min.) at full load
Mechanical Life: 30,000 cycles (min.)
Terminal Type: Refer to Diag. No. in Table
Mounting Hole: .500 (12.7)

NTE Type No.	Circuitry	Action			Actuator	Diag No.
NEW 54-602	DPST	ON	NONE	OFF	Nickel Plated Brass	S98c
NEW 54-603	DPDT	ON	NONE	ON	Nickel Plated Brass	S98c
NEW 54-604	DPDT	ON	OFF	ON	Nickel Plated Brass	S98c
NEW 54-606	DPST	ON	NONE	OFF	Nickel Plated Brass	S98b
NEW 54-607	DPDT	ON	NONE	ON	Nickel Plated Brass	S98b
NEW 54-608	DPDT	ON	OFF	ON	Nickel Plated Brass	S98b