

Magnetic Alarm Reed Switch

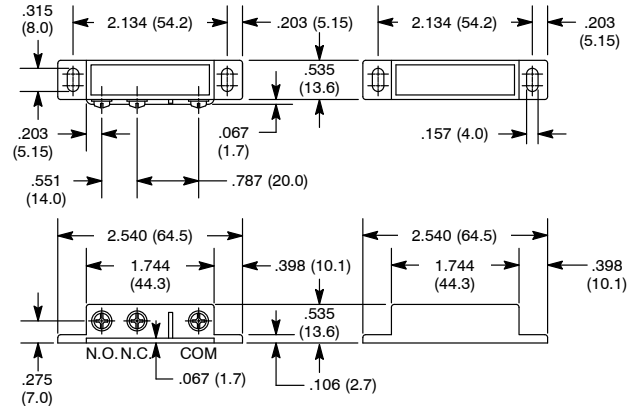
Features

- Normally Closed & Normally Open



NTE Type No.	Circuitry	Action	Actuator	Diag No.
54-627	SPDT	NO without Magnet or NC without Magnet	Magnet	S99

S99



Specifications

Contact Rating: 3 W/VA
Contact Resistance: 200 megohms
Contact Material: Ruthenium Oxide over Rhodium
Voltage Rating: 125 VAC, 100 VDC
Switching Current: 250mA
Insulation Resistance: 10 gigohms
Shock Resistance: nil
Vibration Resistance: nil
Life Expectancy: 10,000,000 cycles
Operating Gap: 1.180" (3cm) max.
Terminal Type: Screw
Mounting Hole: .157" (4mm)

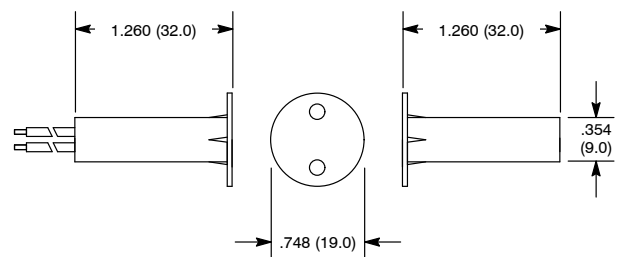
Magnetic Alarm Reed Switch

Features

- 3/8" (9mm) Diameter Press Fit
- Operating Gap 5/8" (16mm) min.
- 18" Wire Leads
- 3/4" (19mm) Collar Flange for Better Retention



S100



Specifications

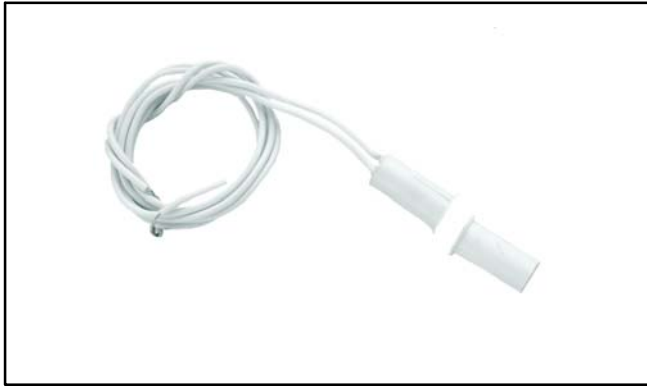
Contact Rating: 10W/VA
Contact Resistance: 150 milliohms.
Contact Material: Ruthenium Oxide over Palladium
Switching Voltage: 200 VDC max.
Switching Current: 500mA max.
Insulation Resistance: 10 gigohms
Shock Resistance: 30G for 11mS
Vibration Resistance: 20G (10 to 1000Hz)
Life Expectancy: 20,000,000 cycles (resistive load, 12VDC, 250mA)
Operating Gap: .629" (16mm) min.
Terminal Type: Wire Leads
Mounting Hole: .375" (9mm)

NTE Type No.	Circuitry	Action	Actuator	Diag No.
54-628	SPST-NO	NO to Closed Loop System	Magnet	S100

Magnetic Alarm Reed Switch

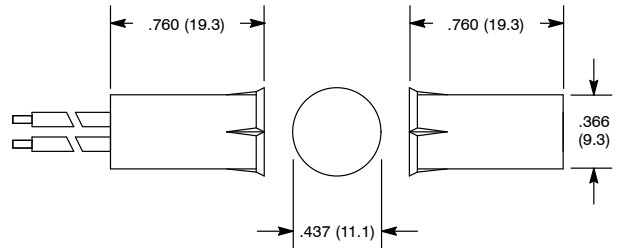
Features

- 3/8" (9mm) Dia with 18" Long Wire Leads
- Easy & Quick Installation
- Longer Length
- Operate Gap 3/4" (19mm) min.



NTE Type No.	Circuitry	Action	Actuator	Diag No.
54-629	SPST-NO	NO fo Closed Loop System	Magnet	S101

S101



Specifications

Contact Rating: 10W/VA
Contact Resistance: 150 milliohms.
Contact Material: Ruthenium Oxide over Palladium
Switching Voltage: 200 VDC max.
Switching Current: 500mA max.
Insulation Resistance: 10 gigohms
Shock Resistance: 30G for 11mS
Vibration Resistance: 20G (10 to 1000Hz)
Life Expectancy: 20,000,000 cycles (resistive load, 12VDC, 250mA)
Operating Gap: .748" (19mm) min.
Terminal Type: Wire Leads
Mounting Hole: .375" (9mm)

Magnetic Alarm Reed Switch

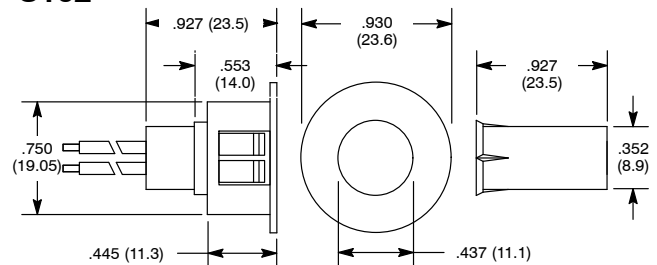
Features

- 3/8" (9mm) Dia with Adaptor Holder
- Wide Operating Gap 3/4" (19mm) min.
- Easy & Quick Installation
- 3/4" Adaptor/Holder



NTE Type No.	Circuitry	Action	Actuator	Diag No.
54-631	SPST-NO	NO for Closed Loop System	Magnet	S102

S102



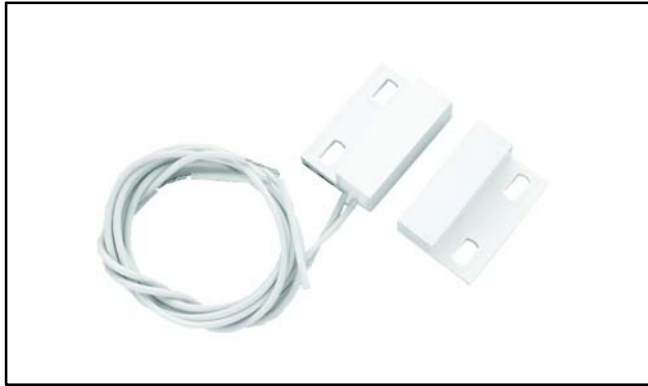
Specifications

Contact Rating: 10W/VA
Contact Resistance: 150 milliohms.
Contact Material: Ruthenium Oxide over Palladium
Switching Voltage: 200 VDC max.
Switching Current: 500mA max.
Insulation Resistance: 10 gigohms
Shock Resistance: 30G for 11mS
Vibration Resistance: 20G (10 to 1000Hz)
Life Expectancy: 20,000,000 cycles (resistive load, 12VDC, 250mA)
Operating Gap: .748" (19mm) min.
Terminal Type: Wire Leads
Mounting Hole: .375" (9mm)

Magnetic Alarm Reed Switch

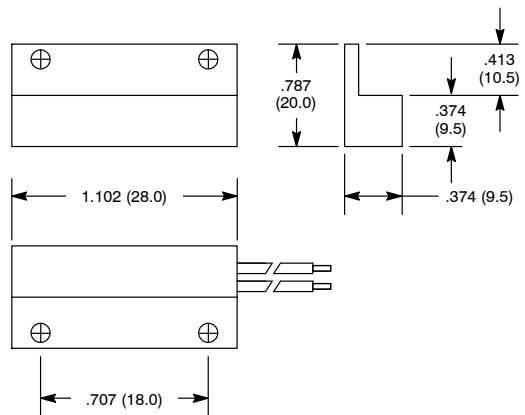
Features

- Mini Stick-On Surface Mount Contact with Side Leads
- 18" Long Side Wire Leads
- Adhesive & Screw Mounting
- Operate Gap 3/4" (19mm) min.



NTE Type No.	Circuitry	Action	Actuator	Diag No.
54-632	SPST-NO	NO for Closed Loop System	Magnet	S103

S103



Specifications

Contact Rating: 10W/VA
Contact Resistance: 150 milliohms.
Contact Material: Ruthenium Oxide over Palladium
Switching Voltage: 200 VDC max.
Switching Current: 500mA max.
Insulation Resistance: 10 gigohms
Shock Resistance: 30G for 11mS
Vibration Resistance: 20G (10 to 1000Hz)
Life Expectancy: 20,000,000 cycles (resistive load, 12VDC, 250mA)
Operating Gap: .748" (19mm) min.
Terminal Type: Wire Leads
Mounting Hole: .250" (6.35mm)

Magnetic Roller Ball Switch

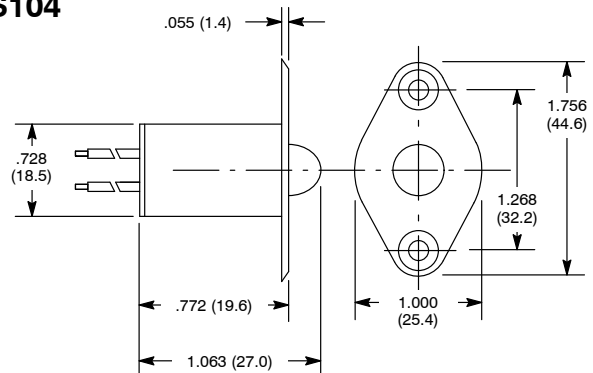
Features

- 3/8" Dia with 18" Long Wire Leads
- Flange for Reliable Retention
- Suitable For Sliding as well as Swing Doors



NTE Type No.	Circuitry	Action	Actuator	Diag No.
54-633	SPST-NO	NO for Closed Loop System	Magnet	S104

S104



Specifications

Contact Rating: 10W/VA
Contact Resistance: 150 milliohms.
Contact Material: Ruthenium Oxide over Palladium
Switching Voltage: 200 VDC max.
Switching Current: 500mA max.
Insulation Resistance: 10 gigohms
Shock Resistance: 30G for 11mS
Vibration Resistance: 20G (10 to 1000Hz)
Life Expectancy: 20,000,000 cycles (resistive load, 12VDC, 250mA)
Terminal Type: Wire Leads
Mounting Hole: .375" (9mm)

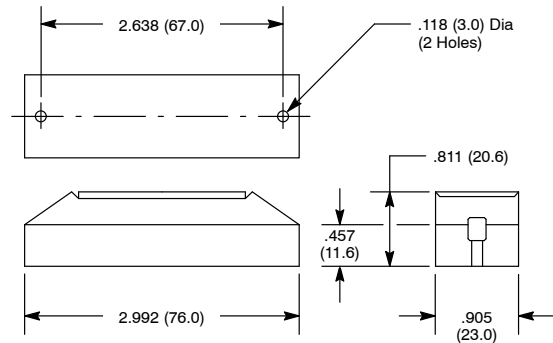
Panic Switch

Features

- Surface Mount Type
- Push Button Function
- Emergency Marking on the Button



S105



Specifications

Contact Rating: 10W/VA
Contact Resistance: 150 milliohms.
Contact Material: Silver over Palladium
Switching Voltage: 200 VDC max.
Switching Current: 500mA max.
Insulation Resistance: 10 gigohms
Shock Resistance: 30G for 11mS
Vibration Resistance: 20G (10 to 1000Hz)
Life Expectancy: 20,000,000 cycles (resistive load, 12VDC, 250mA)
Terminal Type: Y Type Tin Plated Brass

NTE Type No.	Circuitry	Action	Actuator	Diag No.
54-634	SPST-NO	NO for Closed Loop System	Microswitch	S105

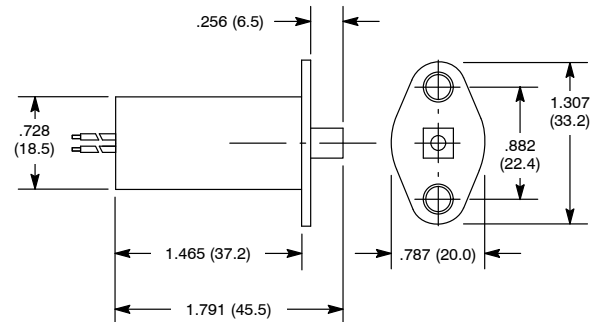
Magnetic Plunger Switch

Features

- 3/8" Dia Mounting Hole
- Flange for Reliable Retention
- 3mm Pre-Travel Stroke and 7mm Overall Operating Stroke
- 18" Long Wire Leads
- Screw Provided



S106



Specifications

Contact Rating: 10W/VA
Contact Resistance: 150 milliohms.
Contact Material: Ruthenium Oxide over Palladium
Switching Voltage: 200 VDC max.
Switching Current: 500mA max.
Insulation Resistance: 10 gigohms
Shock Resistance: 30G for 11mS
Vibration Resistance: 20G (10 to 1000Hz)
Life Expectancy: 20,000,000 cycles (resistive load, 12VDC, 250mA)
Terminal Type: Wire Leads
Mounting Hole: .375" (9mm)

NTE Type No.	Circuitry	Action	Actuator	Diag No.
54-635	SPST-NO	NO for Closed Loop System	Magnet	S106

Magnetic Alarm Reed Switch

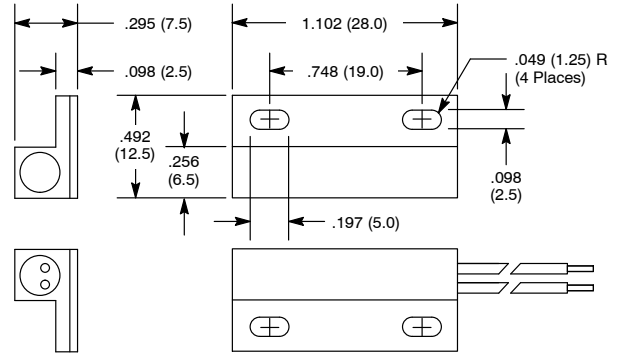
Features

- Mini Stick-On Contact with Flange Center Leads
- 18" Leads
- Adhesive and Screw Mount
- Standard Gap: 1" (25mm)



NTE Type No.	Color	Circuitry	Action	Actuator	Diag No.
54-630	White	SPST-NO	NO for Closed Loop System	Magnet	S107
54-636	Brown	SPST-NO	NO for Closed Loop System	Magnet	S107

S107



Specifications

Contact Rating: 10W/VA

Contact Resistance: 150 milliohms.

Contact Material: Ruthenium Oxide over Palladium

Switching Voltage: 200 VDC max.

Switching Current: 500mA max.

Insulation Resistance: 10 gigohms

Shock Resistance: 30G for 11mS

Vibration Resistance: 20G (10 to 1000Hz)

Life Expectancy: 20,000,000 cycles (resistive load, 12VDC, 250mA)

Terminal Type: Wire Leads

Mounting Hole: .200" (5mm)