

## NTE15032, NTE15033, NTE15040, & NTE15041 Integrated Circuit TV Fixed Voltage Regulator

### Features:

- Triple Diffused Darlington Transistor Chips Incorporated
- Compact Plastic Package with Industry Standard Reliability
- Output Voltage is Pre-Fixed – No External Adjustment is Required

### Absolute Maximum Ratings:

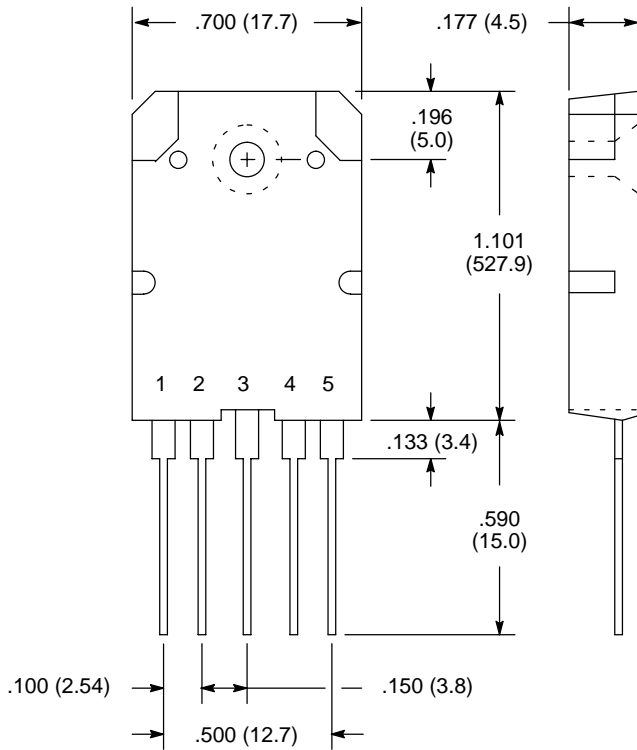
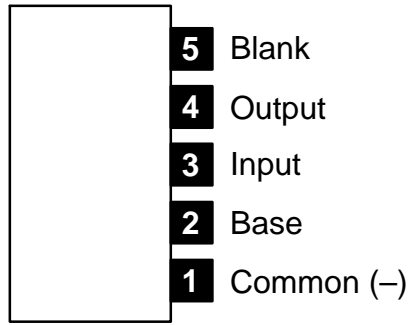
Peak Input Voltage, $V_{IN}$ .....	200V
Output Current, $I_O$ .....	1A
Power Dissipation ( $T_C = +100^\circ\text{C}$ ), $P_D$ .....	27W
Maximum Power Transistor Junction Temperature, $T_J$ .....	+150°C
Operating Temperature Range ( $T_C$ ), $T_{opr}$ .....	-20° to +125°C
Storage Temperature Range, $T_{stg}$ .....	-30° to +125°C

### Electrical Characteristics: ( $T_A = +25^\circ\text{C}$ unless otherwise specified)

Parameter	Symbol	Test Conditions	Min	Typ	Max	Unit
Output Voltage NTE15032	$V_{OUT}$	$V_{AC} = 161\text{V}, I_{In} = 6.9\text{mA}$	129.2	130.0	130.8	V
NTE15033			134.2	135.0	135.8	V
NTE15040		$V_{AC} = 161\text{V}, I_{In} = 7.2\text{mA}$	119.2	120.0	120.8	V
NTE15041			124.2	125.0	125.8	V
Load Regulation	$\Delta V_{LOAD}$	$I_O = 250\text{mA to } 500\text{mA}$	–	$\pm 0.8$	–	V
Output Voltage Temperature Coefficient		$V_{IN} = V_{AC}, I_O = 500\text{mA}, T_C = -20^\circ \text{ to } +100^\circ\text{C}$	–	$\pm 0$	–	mV/°C
Input–Output Saturation Voltage	$V_{CE(sat)}$	$I_C = 1\text{A}, I_B = 10\text{mA}$	–	–	1.5	V
Input–Output Voltage	$V_{CEO}$	$I_{CEO} = 10\text{mA}, I_B = 0$	200	–	–	V
DC Current Gain	$h_{FE}$	$I_C = 1\text{A}, V_{CE} = 4\text{V}$	1500	–	6500	
Power Transistor Thermal Resistance	$R_{thJC}$	Between Junction and Stem Upper Surface	–	1.8	–	°C/W
Input–Output Cutoff Current	$I_{CEO}$	$V_{CE} = 200\text{V},$ Pin1, Pin2, and Pin5 Open	–	–	100	$\mu\text{A}$
Output–Base Reverse Current Capacity	$I_{EB(S/B)}$	$t = 65\text{msec}$ (Between Emitter–Base)		–	300	mA

Note 1. Recommended Case Temperature:  $T_{opr} = +100^\circ\text{C}$ .

### Pin Connection Diagram (Front View)



OR

