

RLY9171

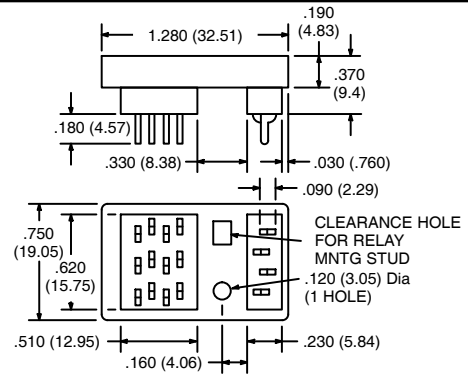
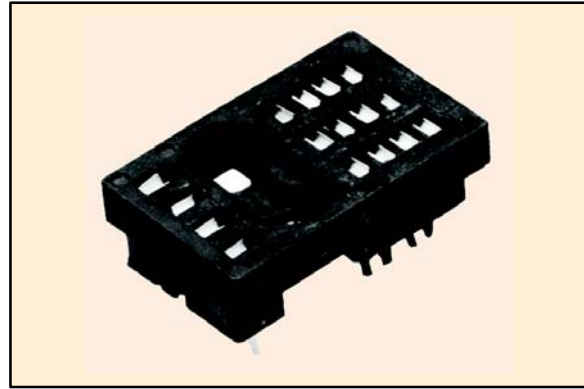
16-Pin Blade Socket

Features

- PC Board Mount
- In-Line Solder Terminals

Electrical Rating:

300 Volts, 10 Amps



RLY9172

22-Pin Blade Socket

Features

- PC Board Mount
- In-Line Solder Terminals

Electrical Rating:

300 Volts, 10 Amps

