

Input / Output Modules

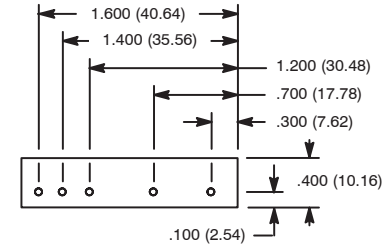
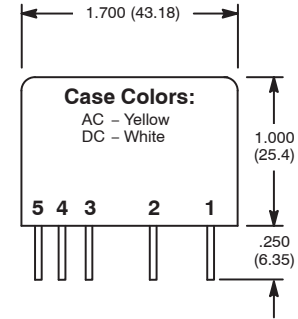
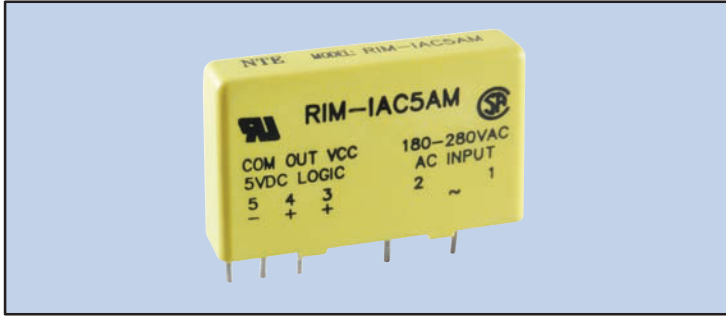
RIM Series



Slimline Input Digital Modules D47

Features

- 4KV Optical Isolation
- Slimline Packaging
- Plugs into Standard I/O Module Mounting Board
- Industry Standard Color Code (AC=Yellow, DC=White)
- AC & DC Types



INPUT SPECIFICATIONS

NTE Type No.	Nominal Input Voltage	Input Voltage		Input Control Max mA	Drop Out Current	Allowable Input For NO Output	Diag No.
		Min	Max				
RIM-IAC5M	120 VAC	90Vrms	140Vrms	10.0	1.5mA	2.0mA	D47A
RIM-IAC15M	120 VAC	90Vrms	140Vrms	10.0	1.5mA	2.0mA	D47A
RIM-IAC5AM	240 VAC	180Vrms	280Vrms	10.0	1.0mA	1.5mA	D47A
RIM-IAC15AM	240 VAC	180Vrms	280Vrms	10.0	1.0mA	1.5mA	D47A
RIM-IAC24AM	240 VAC	180Vrms	280Vrms	10.0	1.0mA	1.5mA	D47A
RIM-IDC5M	5 - 28 VDC	10 VDC	36 VDC	34.0	1.5mA	2.0mA	D47B
RIM-IDC24M	5 - 28 VDC	10 VDC	36 VDC	34.0	1.5mA	2.0mA	D47B

OUTPUT SPECIFICATIONS

NTE Type No.	Nom. Logic Supply Vltg.	Logic Supply Vltg.		Max Logic Supply Current	Maximum Output		Max Output Leakage Curr.	Max Output Vltg. Drop	Diag No.
		Min	Max		Volts	Current			
RIM-IAC5M	5.0 VDC	3.5 VDC	6 VDC	16mADC	30 VDC	50mA	10 μ ADC	0.4VDC	D47A
RIM-IAC15M	15 VDC	12 VDC	18 VDC	16mADC	30 VDC	50mA	10 μ ADC	0.4VDC	D47A
RIM-IAC5AM	5 VDC	3.5 VDC	6 VDC	16mADC	30 VDC	50mA	10 μ ADC	0.4VDC	D47A
RIM-IAC15AM	15 VDC	12 VDC	18 VDC	16mADC	30 VDC	50mA	10 μ ADC	0.4VDC	D47A
RIM-IAC24AM	24 VDC	20 VDC	30 VDC	16mADC	30 VDC	50mA	10 μ ADC	0.4VDC	D47A
RIM-IDC5M	5 VDC	3.5 VDC	6 VDC	16mADC	30 VDC	50mA	10 μ ADC	0.4VDC	D47B
RIM-IDC24M	24 VDC	20 VDC	30 VDC	16mADC	30 VDC	50mA	10 μ ADC	0.4VDC	D47B

Electrical Specifications

Environmental

Operating: 0°C to +80°C

Storage: -40°C to +125°C

Operational Characteristics

Max Turn-On Time: 20ms (AC Modules)
100 μ s (DC Modules)

Max Turn-Off Time: 20ms (AC Modules)
100 μ s (DC Modules)

Insulation Characteristics

Input to Output Isolation Voltage: 4000 VRMS

ACCESSORIES

MOUNTING STYLES	DESCRIPTION	NTE TYPE NO.
DIN RAIL MOUNT	2-POSITION SOCKET	RLY9142

Diagram A - AC Input

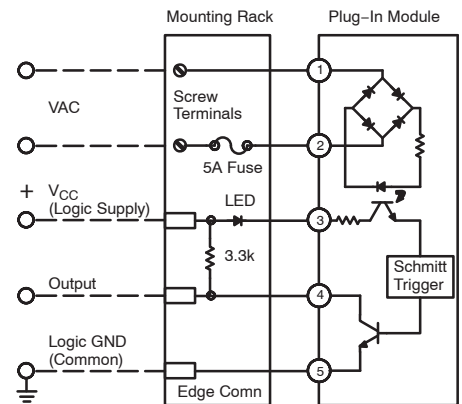


Diagram B - DC Input

